

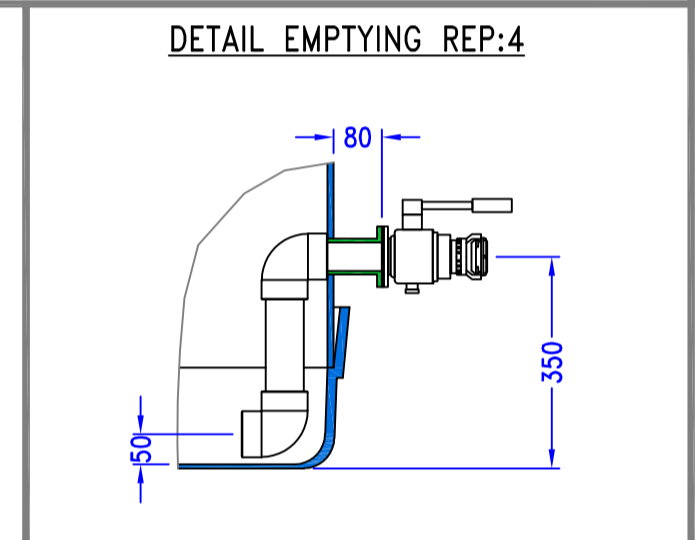
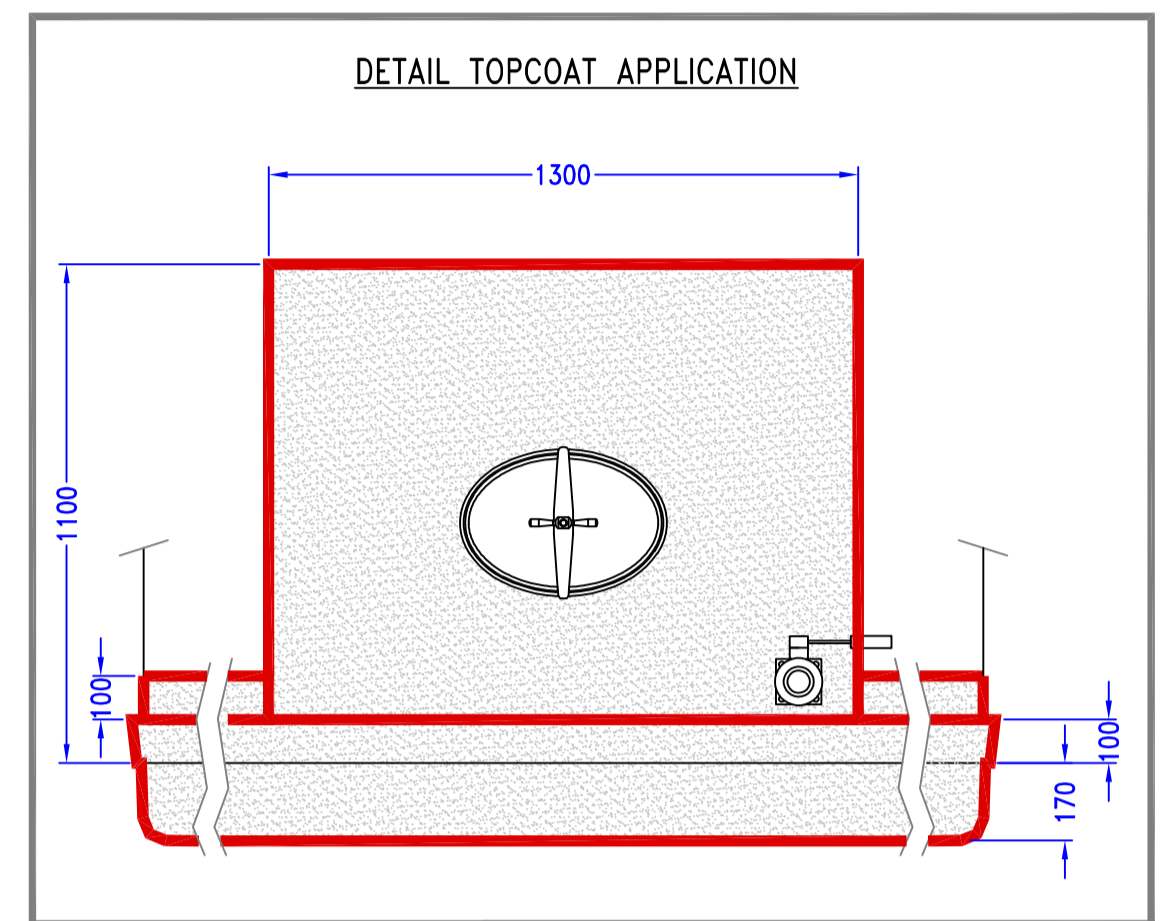
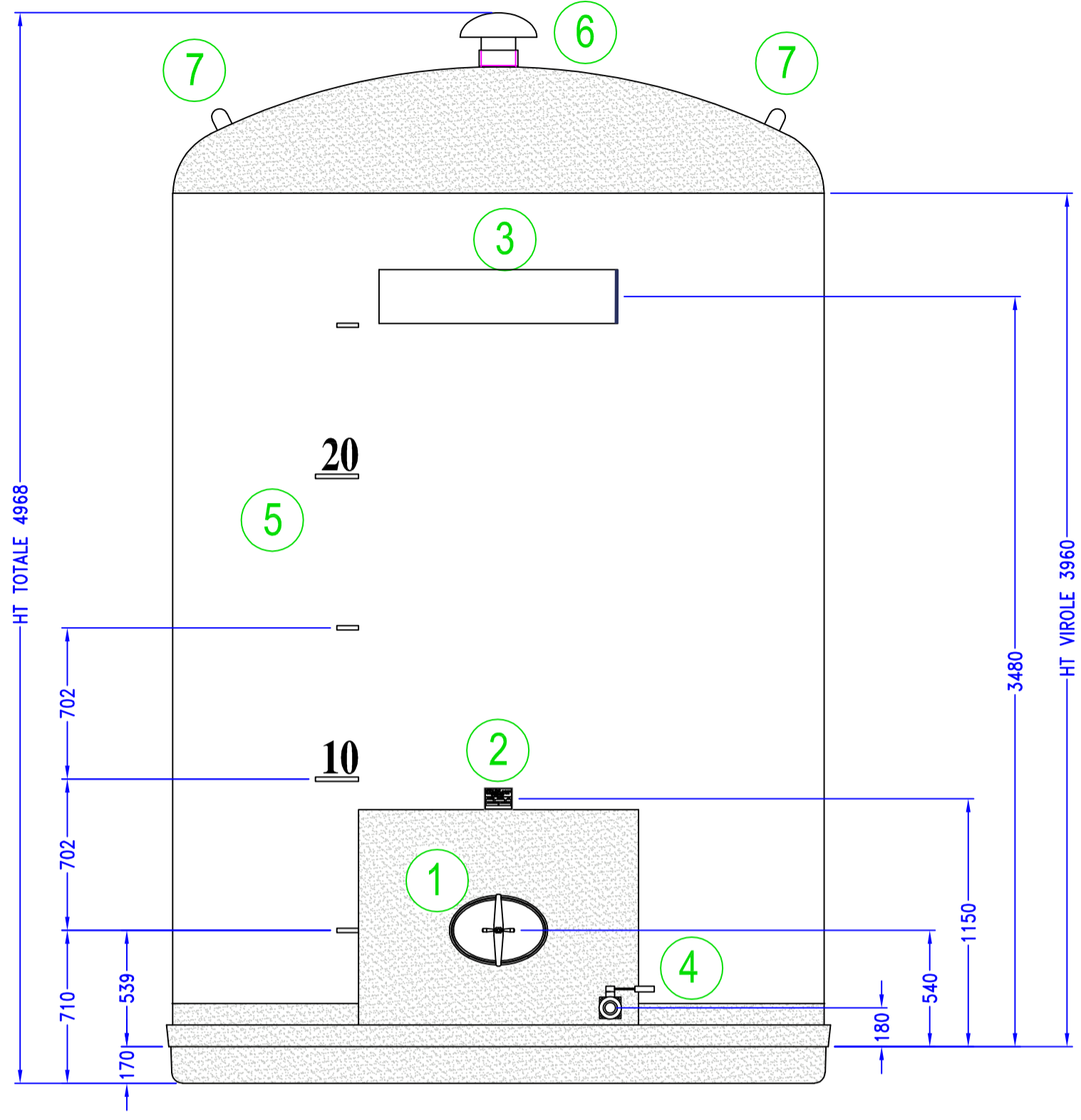
VENT MAX DEBIT: 200M3/h
TANK ATMOSPHERIC: NO FORCING AIR TO THE PRODUCT

LEGEND OF COLORS

- TRANSLUCENT
- GREY RAL:7035

SERVICE CONDITIONS :

PRODUCT DENSITY :	1.3 APPROX.
T° USAGE :	AMBIENT
WORKING PRESSION :	ATMOSPHERIC
DEPRESSION :	NULL
RACKING/FILLING DEBIT :	50m³/h
NO FORCING AIR TO THE PRODUCT	
FOOD TANK	



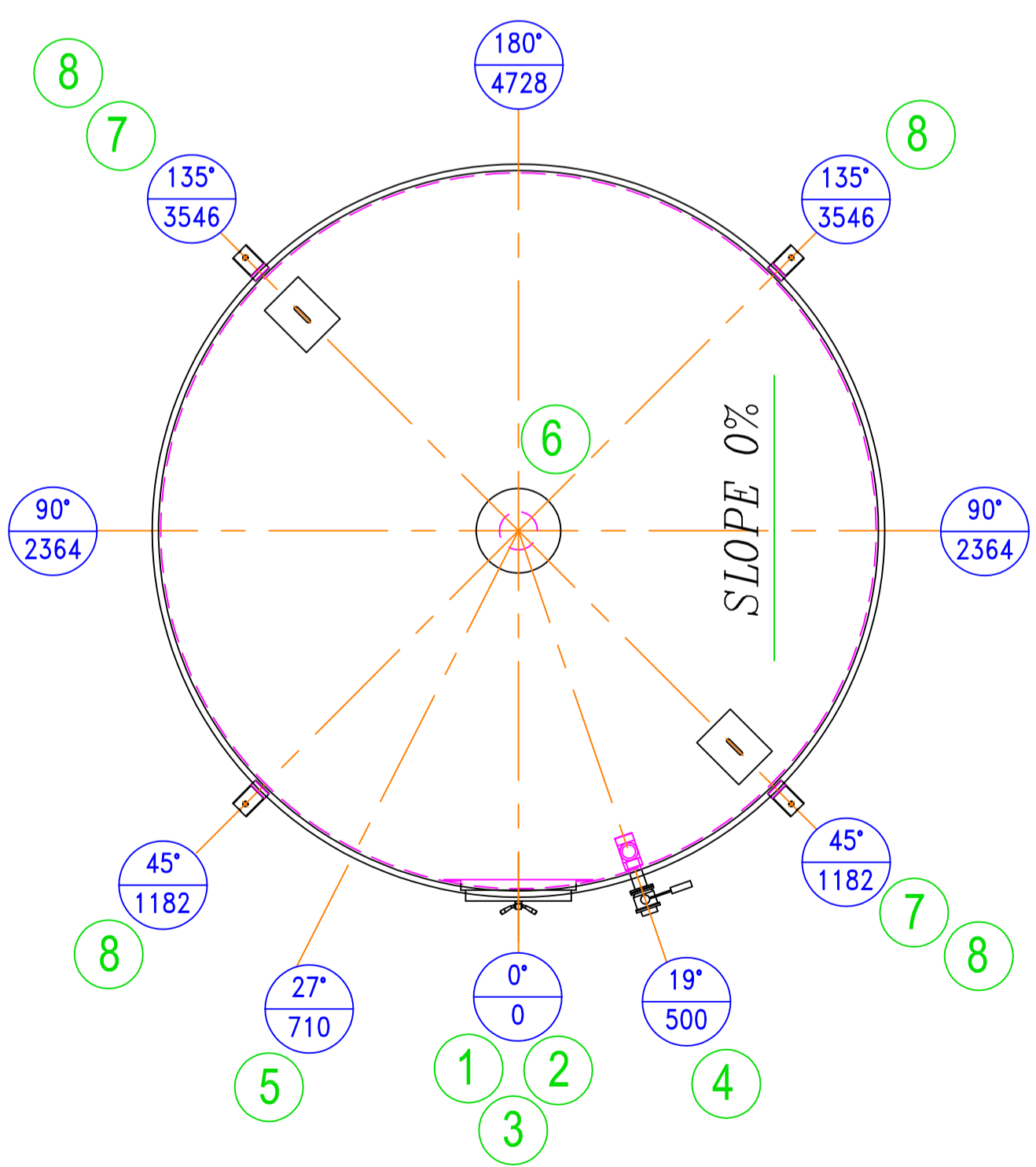
N° TANK: ID 17.487
ID 17.488



ATTENTION
SLOPE AT 0%
EACH VIEW DEED MAKE PROOF
WARNING OF POSITION OF THE
LIFTING LUGS
TOTAL WEIGHT: 735kg
APPROXIMATELY

CONTROL PLAN
Dimensionnel and qualitative

DIMENSIONNEL	QUALITATIF	CONTROLEUR



REP	QTE	DESIGNATION
8	4	ANCHORING SUPPORTS
7	2	LIFTING LUGS
6	1	VENT Ø160
5	1	GRADUATION
4	1	DIP TUBE + 2 ELBOW Ø63
	1	SYMMETRIC HALF ALU COUPLING WITH CAP
3	1	NOZZLE SQUARE FLANGE DN50 PN10
	1	STICKER NAME STAES
2	1	NAME PLATE STAES
1	1	ROUND MANWAY INOX 316L

Echelle Plan :	1/25	Dessiné par : Erwann PELLETANT	Cuve FINI
	OF	N° ARTICLE : CUV-ELF1397 - Ligne :	
	16586	N° Plan :	Fait le : 06.03.19
A2		Destinataire :	2 Cuves engrais liquide 32m3 Fond Plat à 0% - Ø3010 int. Résine isophtalique
			N° Ref. :