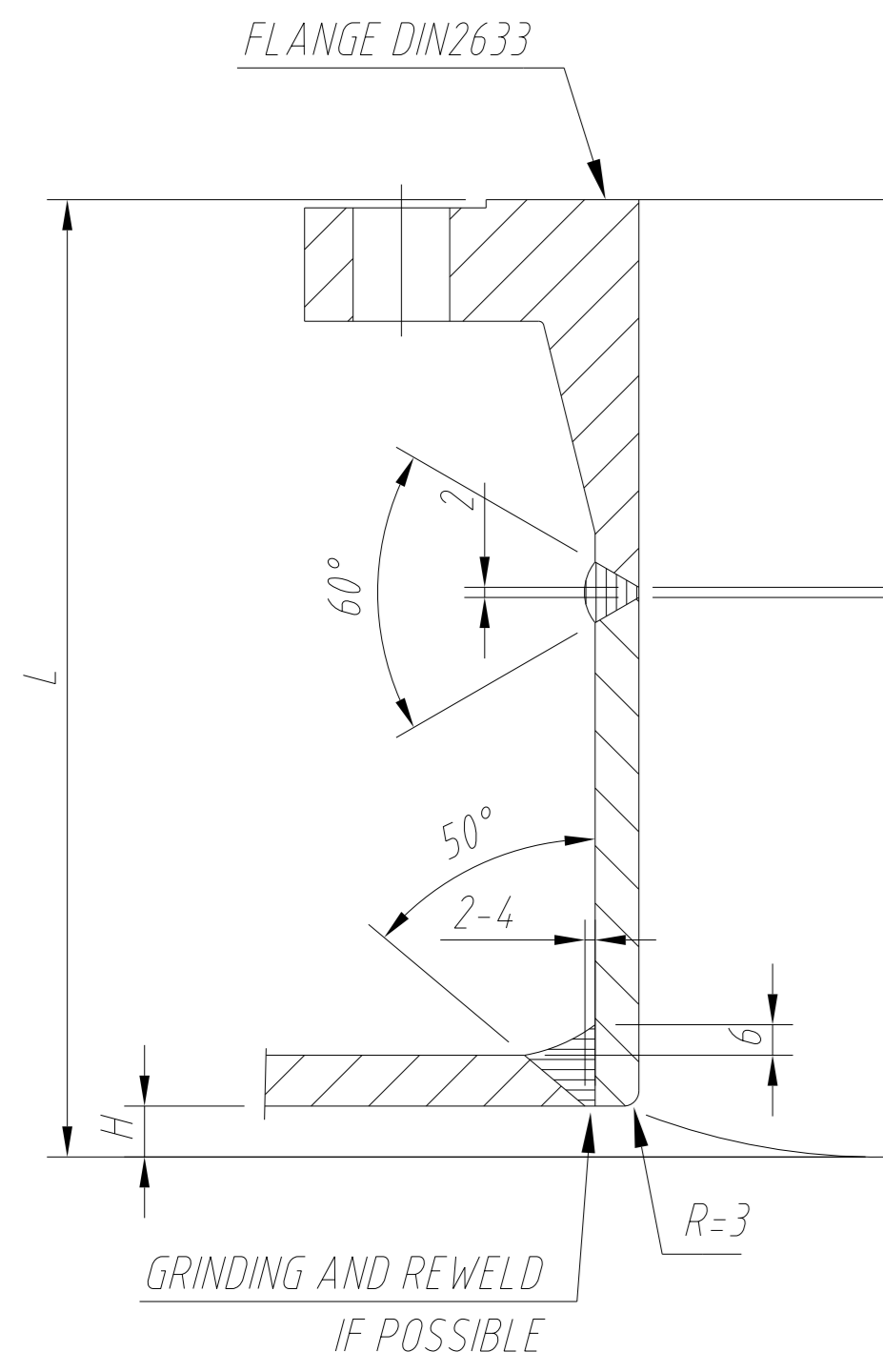
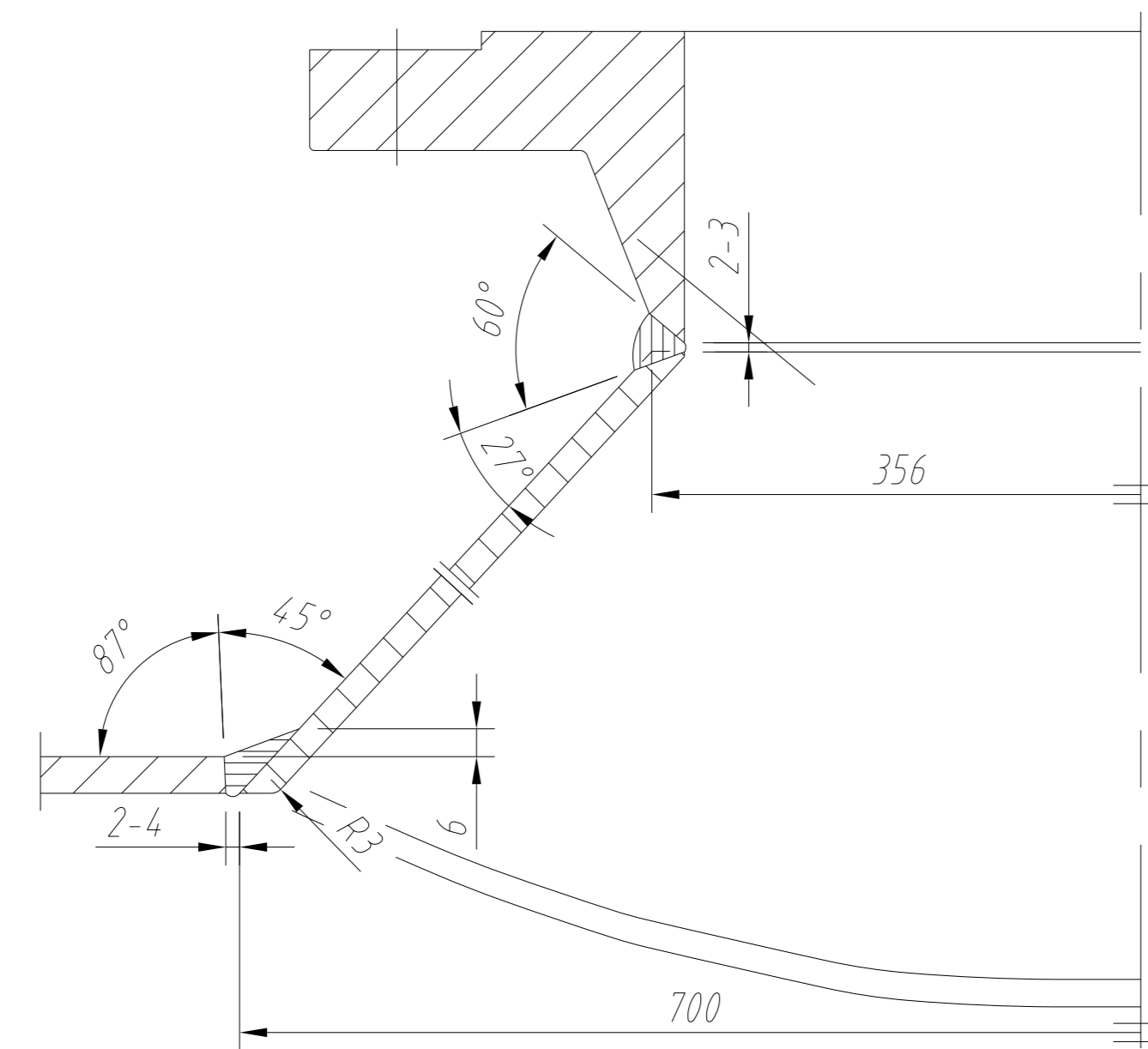


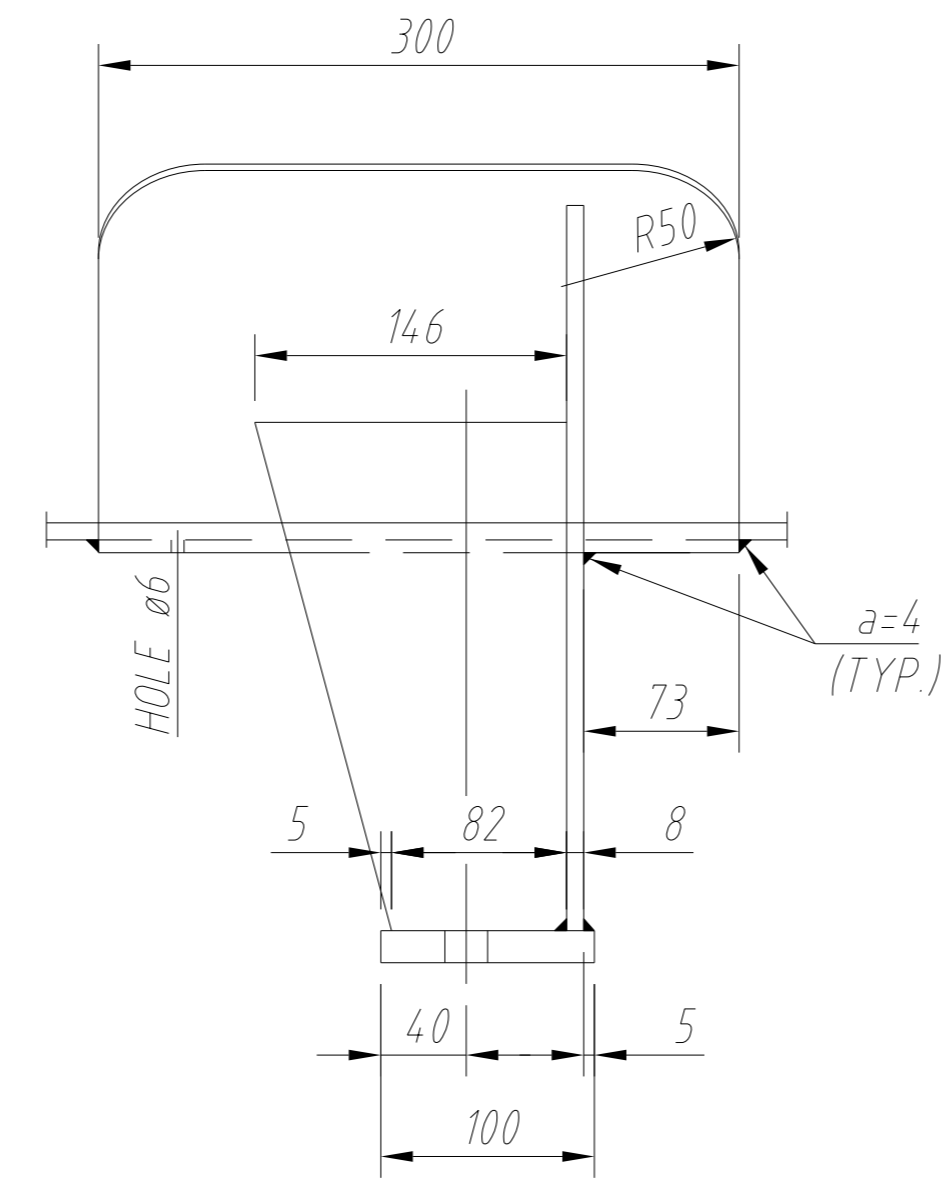
Deze tekening is eigendom van DSM Gist; kopiëren, reproduceren of inzage door derden alleen met schriftelijke toestemming.



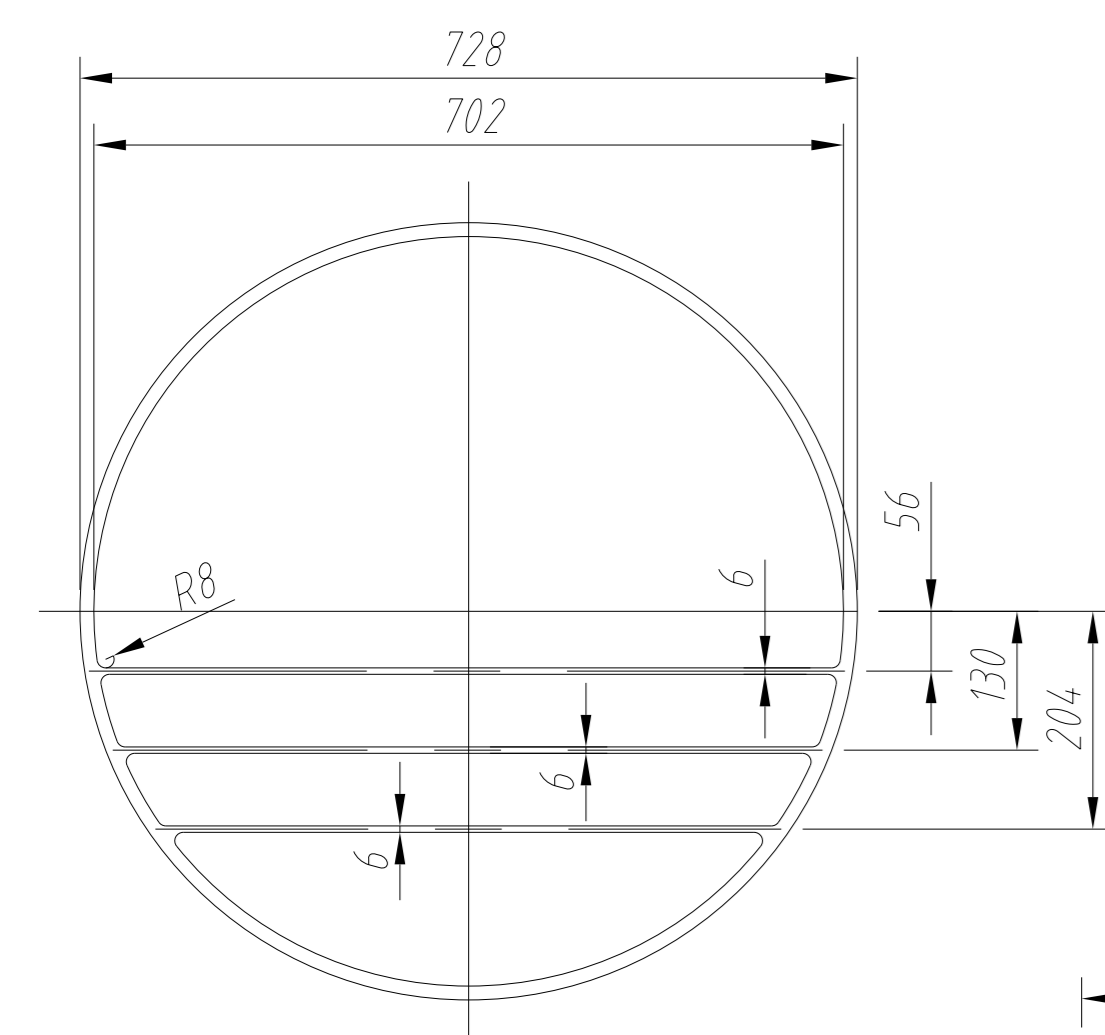
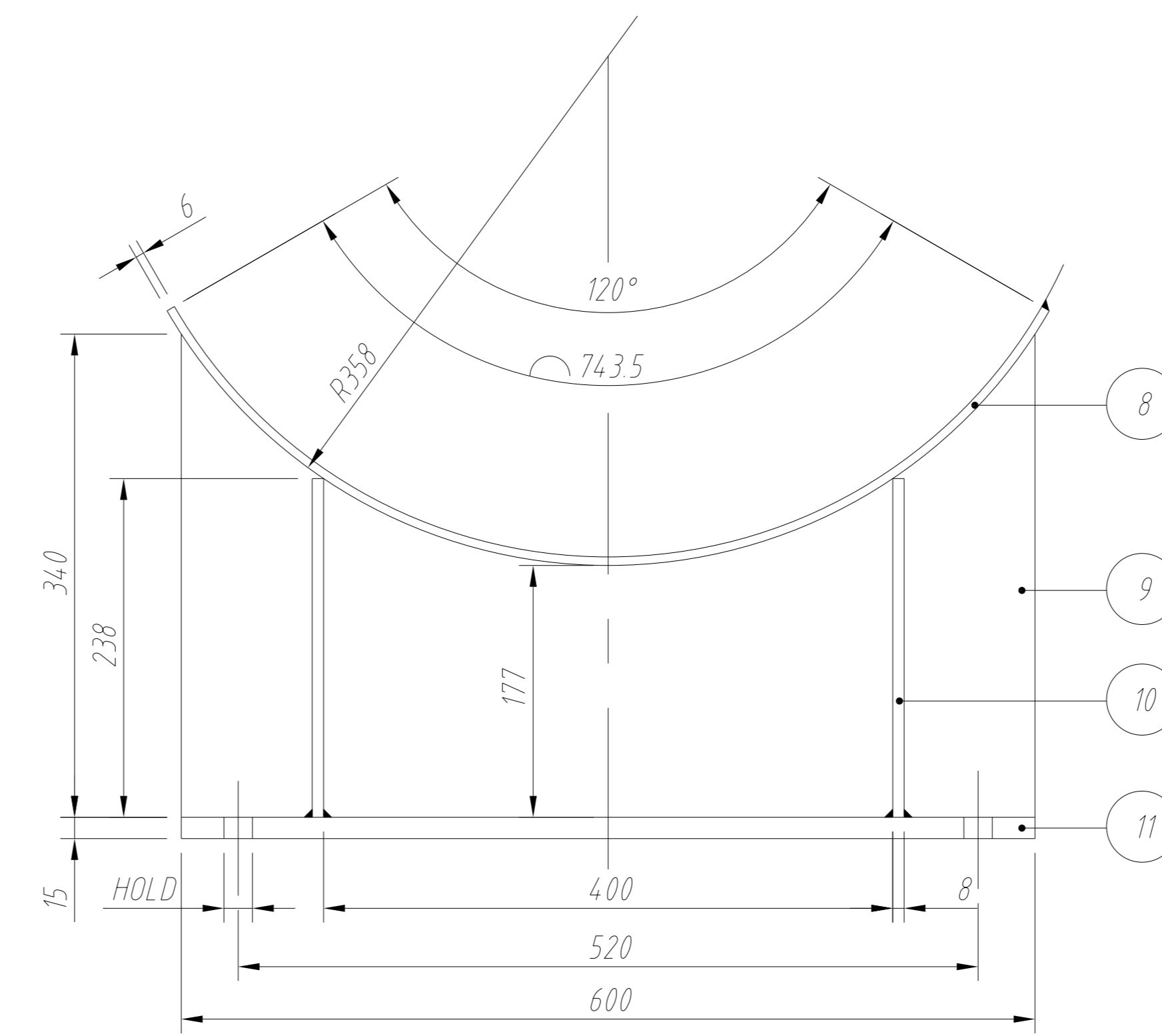
GENERAL NOZZLE DETAIL



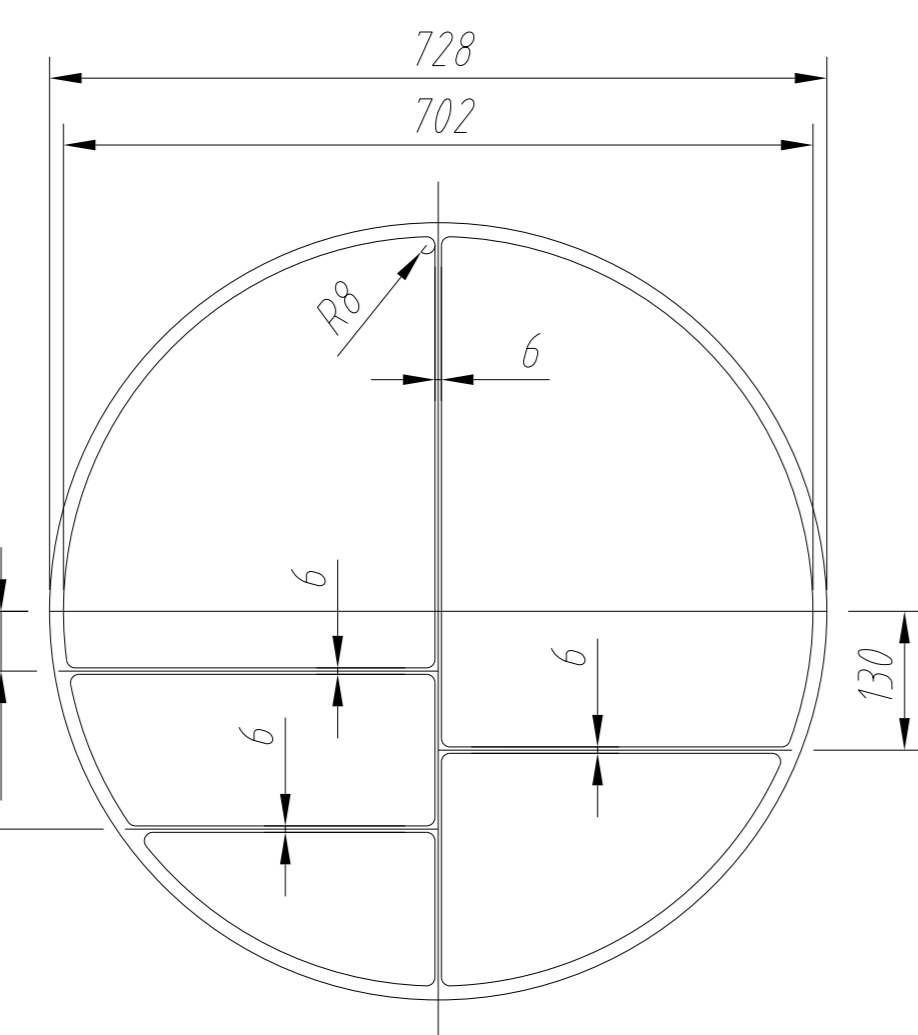
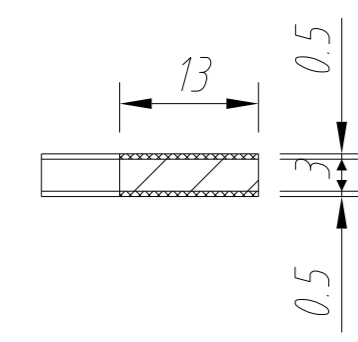
WELDDetail NOZZLE N3 12



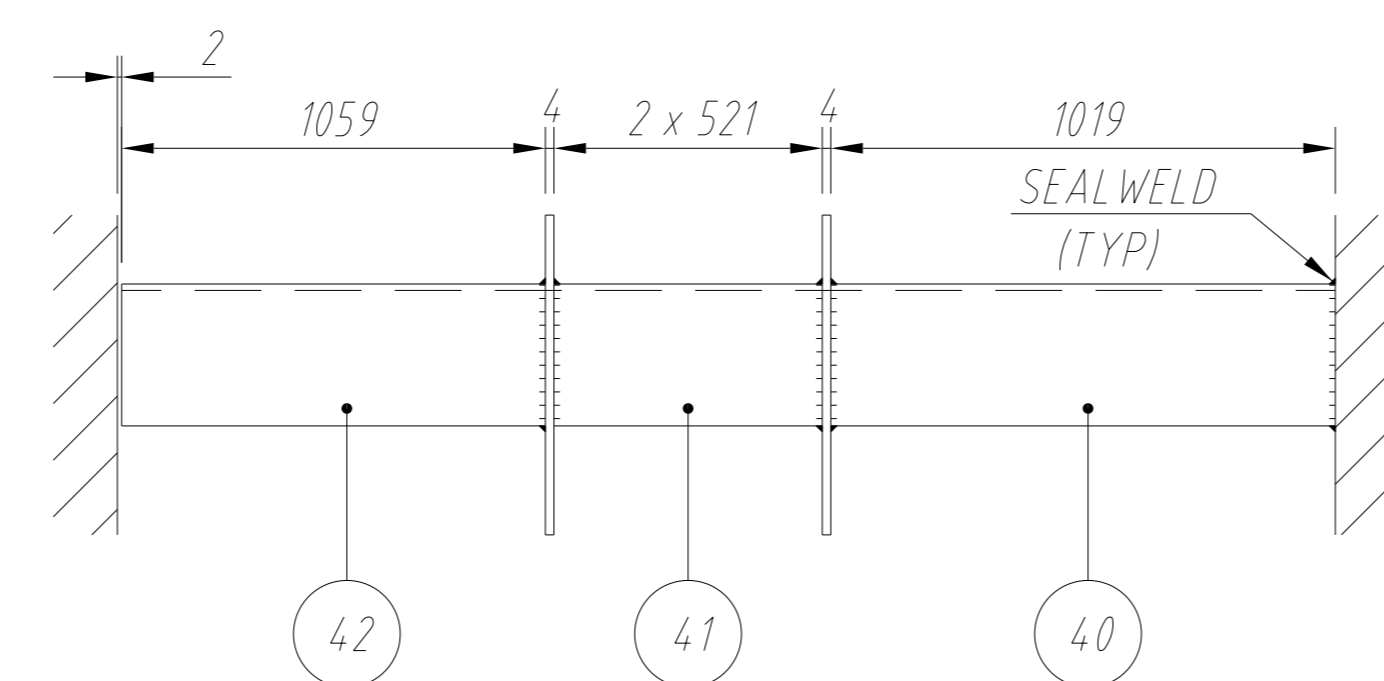
SADDLES 2x REG'D 15



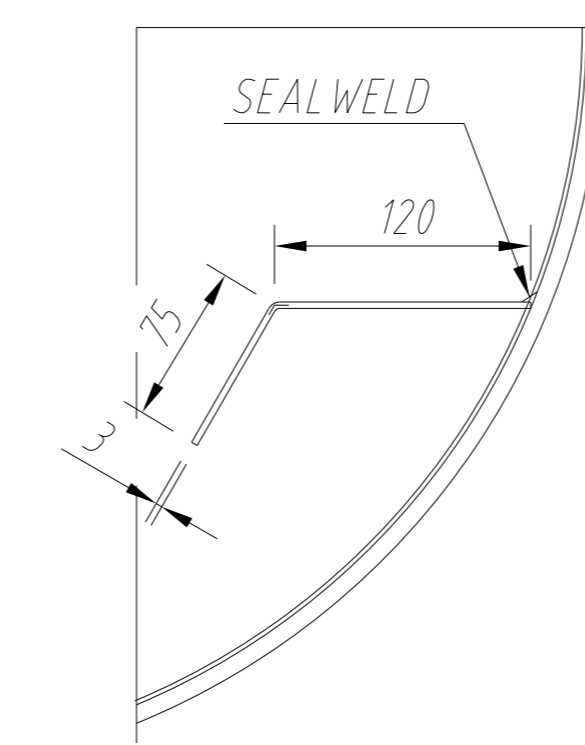
GASKET 110
CAMPROFILE SS316L+GRAPHITE (0.5+3+0.5)
POS 39



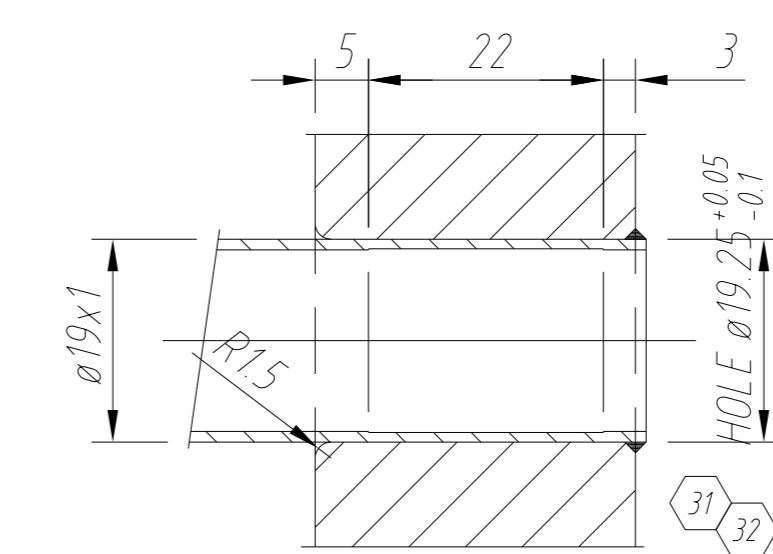
GASKET 110
CAMPROFILE SS316L+GRAPHITE (0.5+3+0.5)
POS 38



DETAIL LONGITUDINAL BAFFLE 15



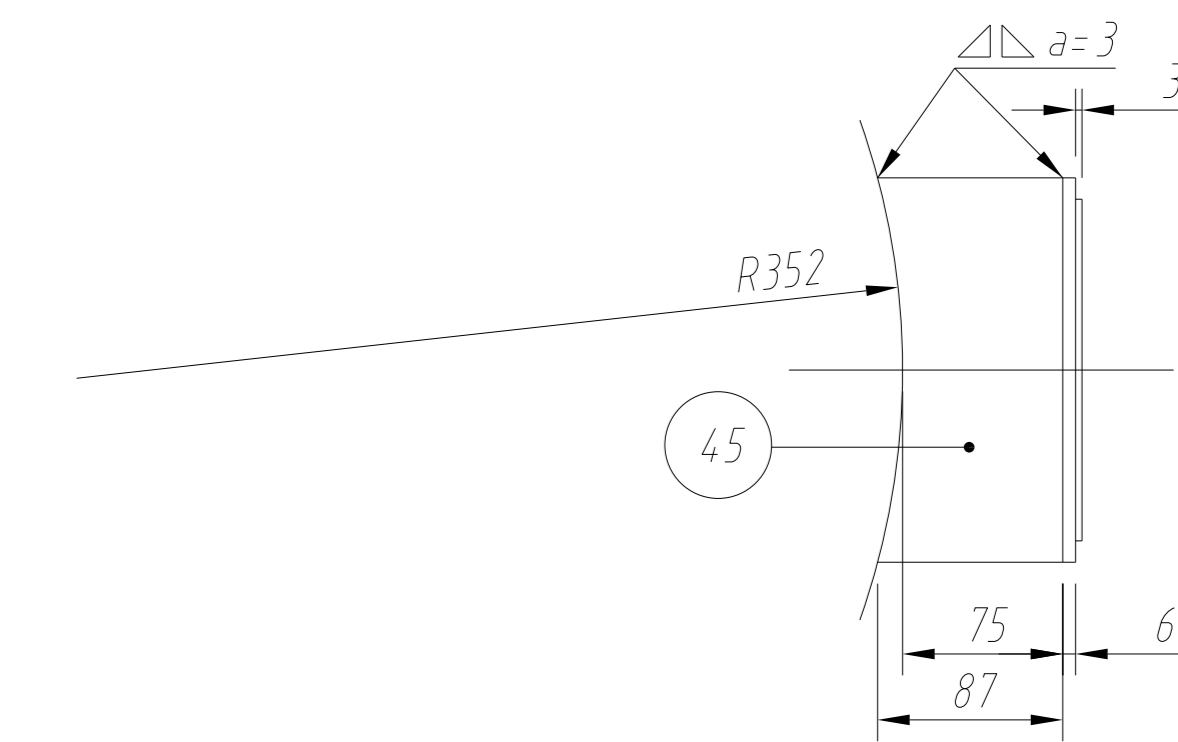
WELD DETAIL
TUBE-TUBESHEET 21



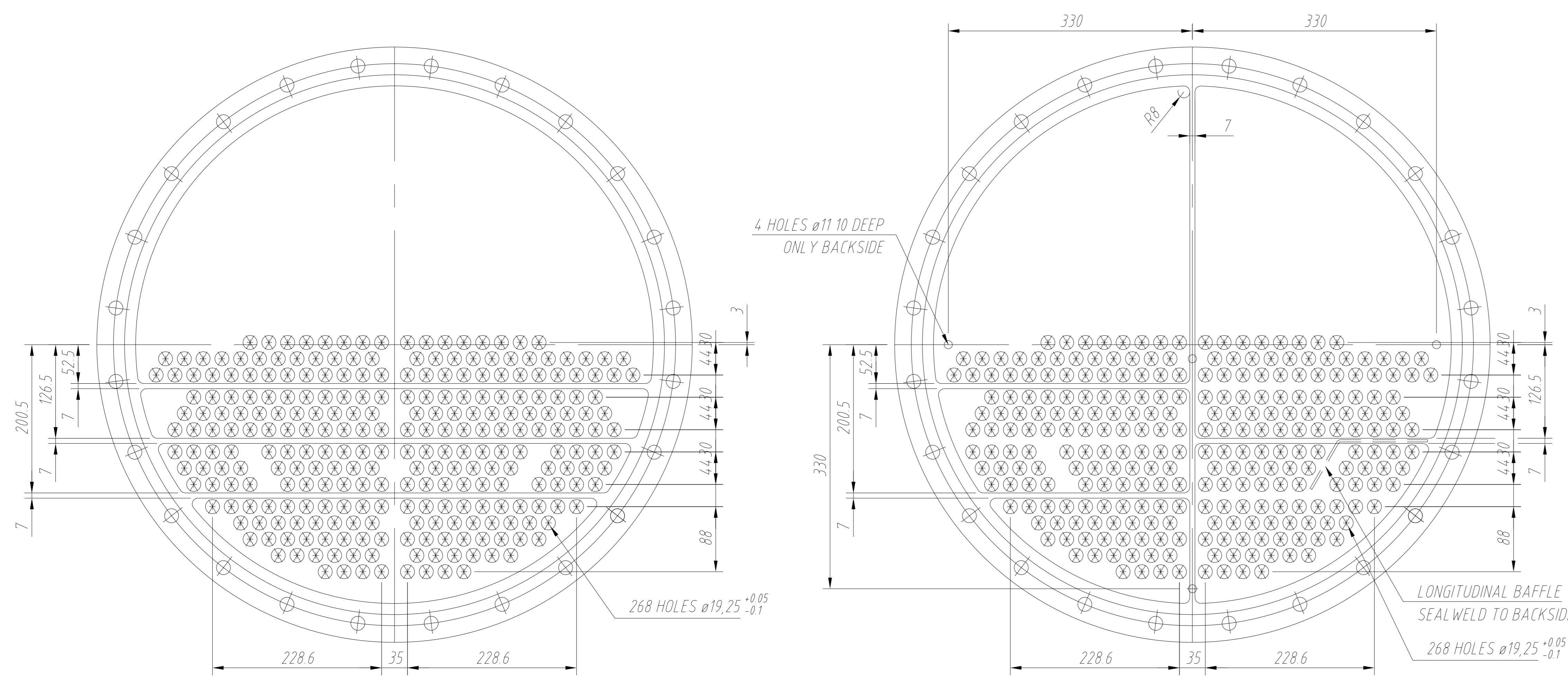
TUBE-TUBESHEET CONN 11

COFELY GDF SVEZ		ZUIDWEST TERNEUZEN, THE NETHERLANDS	
EQUIPMENT ID	149-09-E01	CONDENSOR KURT HERBERT	
USER TAG No	4701018328		
PURCH. ORDER No	EXCHANGER		
INTENDED USE	2011		
YEAR BUILT	800036-3372		
SUPPLIER'S SERIAL No	NA		
NATIONAL BOARD No/ C.R.N	FEBR. 2011		
TEST DATE	PED / TEMA B		
DESIGN CODE	SHELLSIDE TUBESIDE		
PED PRODUCT GROUP	2	2	
PED CATEGORY	SEP ART 3 3	SEP ART 3 3	
MAX. ALLOWABLE INT. PRESS. PS	0.5	5	BARG
MAX. ALLOWABLE EXT. PRESS. PS	-1	-1	BARG
MAX/MIN ALLOWABLE TEMP TS	0 / 50	0 / 50	°C
TEST PRESSURE	1.5	7	BARG
X-RAY	10	10	%
POST WELD HEAT TREATMENT	NO	NO	
INTERNAL LINING/COATING	NO	NO	
VOLUME	1000	450	L
WEIGHT EMPTY, BUNDLE	12.43		kN
WEIGHT EMPTY, TOTAL	15.10		kN
MAX. FILLING WEIGHT	29.6		kN
EQUIPMENT IS SUBJECT TO THE NOTICES AS MENTIONED IN THE USER MANUAL			

NAMEPLATE 11

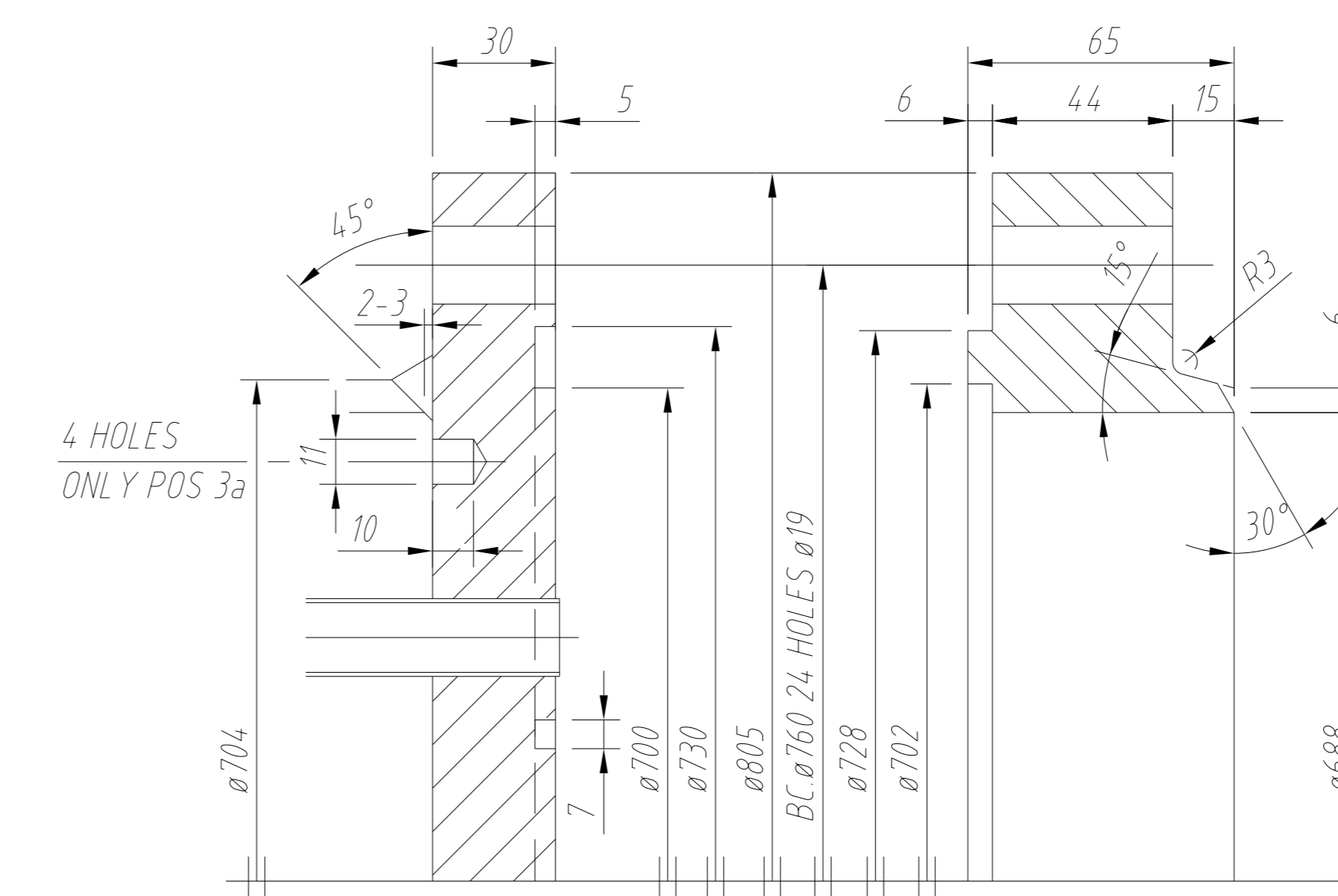


NAMEPLATE 15
SUPPORT



TUBESHEET 15
POS 3b

TUBESHEET 15
POS 3a



TUBESHEET 12
POS 3

CHANNELFLANGE 12
POS 18

QUALITY INSPECTION PLAN 800036-3372-40
WPS'en LIST 800036-3372-30
MATERIAL LIST 800036-3372-20
ENGINEERING 800036-3372-10
GENERAL 800036-3372-01

2	AS-BUILT	11-03-2011	J.S.		
1	IDENTIFICATION NUMBER ADDED	21-12-2010	J.S.		
0	FIRST ISSUE	06-12-2010	J.S.		
rev	description	date	drawn	chkd	appr 1

scale: 1:10, 1:5, 1:2, 1:1
CONTRACT 4400003454/1 PLANT DFS DELFT
P.O.NR. 4701018328 STW REGISTRATION NR. NA

title: KURT HERBERT CONDENSOR AU
NAMEPLATE + DETAILS I.D.NR. 149-09-E01
DSM FOOD SPECIALTIES

COFELY GDF SVEZ		Zuidwest	
fabr no.	Cofely Zuidwest	size	drawing no.
800036-3372	finlandweg 8, 4538 BL Terneuzen telefoon: 01151 68 65 00	A1	800036-3372-02
Code no.	Building	S1	Dest.
1	4	9	3
Project no.	Location	D.	Serial no.
0	0	1	W
Drawing no.	0	0	1