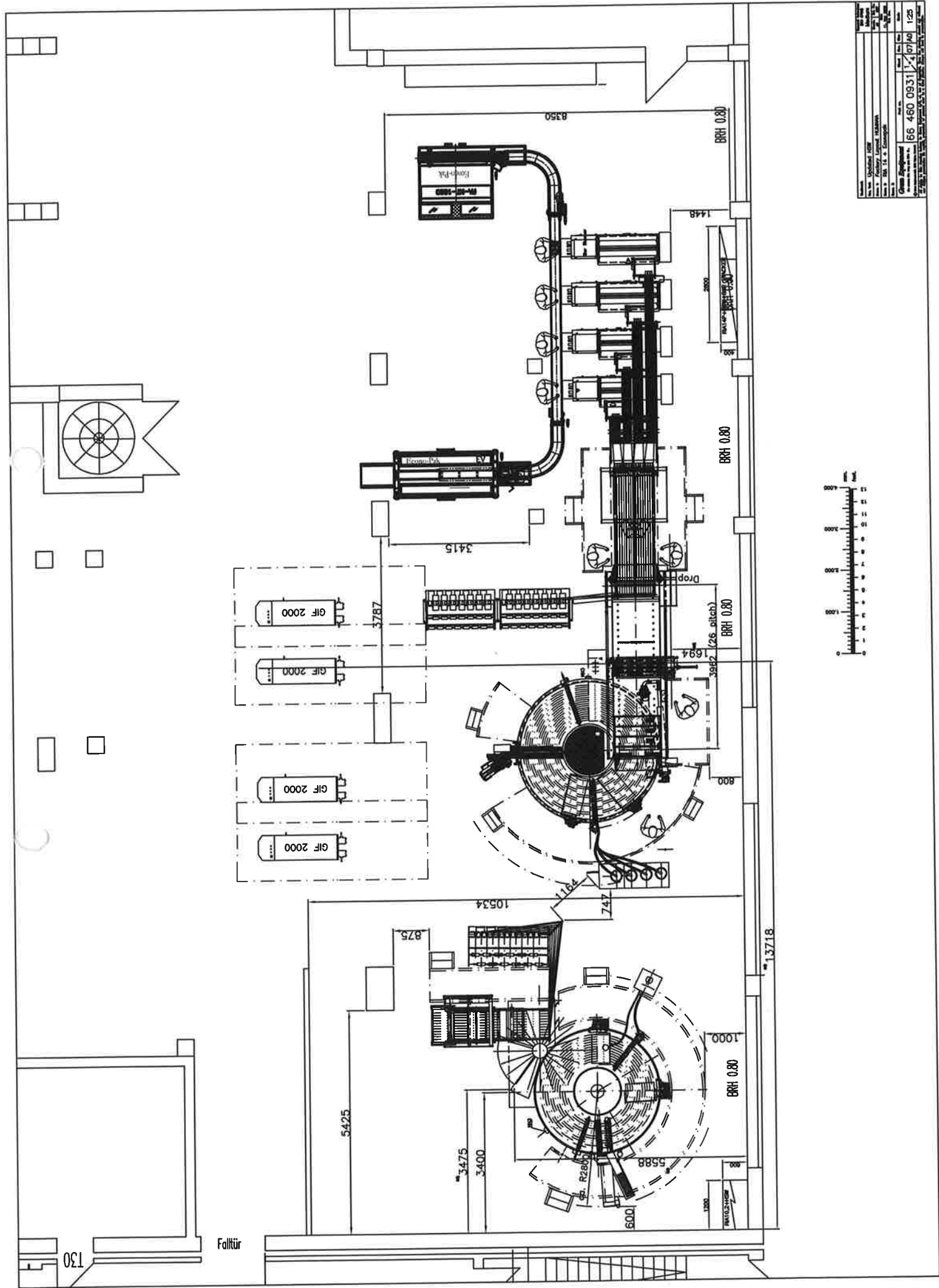
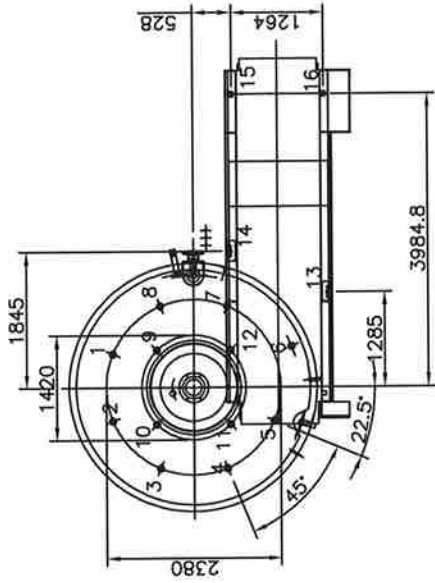


Project No.	66 460 0931	Scale	1:25
Client	BRH 0.80	Sheet No.	07/40
Designer	BRH 0.80	Date	
Manufacturer	BRH 0.80	Project Name	
Address	BRH 0.80	Project No.	
City	BRH 0.80	Sheet No.	
Country	BRH 0.80	Date	



1:50



Masjinens vøgt - Weight of the machine
Gewichtbelastung der Maschine
Poids de la machine

Punkt Point	1	2	3	4	5	6	7	8	9	Totalvøgt - Totalweight - Gesamtgewicht Poids total de la machine
	1650 kg	1700 kg	1700 kg	1700 kg	2000 kg	1900 kg	1650 kg	1650 kg	1650 kg	23.000 kg
	3640 lbs	3750 lbs	3750 lbs	3750 lbs	4410 lbs	4190 lbs	3640 lbs	3640 lbs	3640 lbs	50.720 lbs

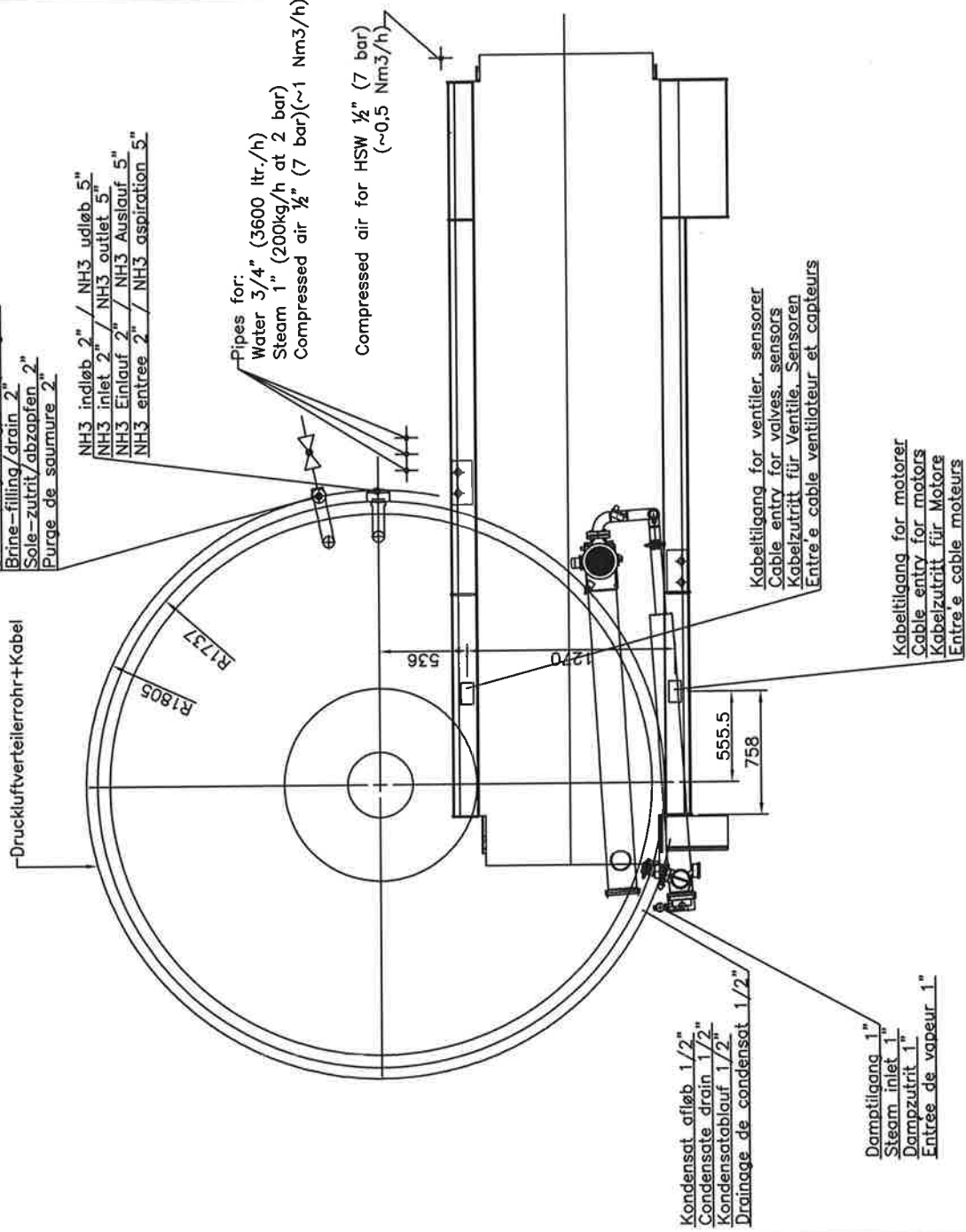
General Reference (ISO 2768)		Medium	
Rev. Text:	Updated HSW	Ext. No.	857
Descr. 1:	Factory Layout HUMANA	Date	11. Nov. 2008
Descr. 2:	RIA 14 + Econopak	Rev. No.	
Descr. 3:		Part no.	66 460 0931
		Sheet	3 of 4
		Rev.	07 A2
		Size	1:20

Gram Equipment
All rights to this drawing belong to Gram Equipment A/S, et. law of Copyright. Thus the drawing should not without our written permission be copied, presented or passed over to a third person. Minutes will lead to prosecution.

Brinestandsviser
Brine indicator
Soleanzeige
Indication de niveau de saumure
Brine-påfyldning/afspørgning 2"
Brine-filling/drain 2"
Sole-zutritt/abzapfen 2"
Purge de saumure 2"

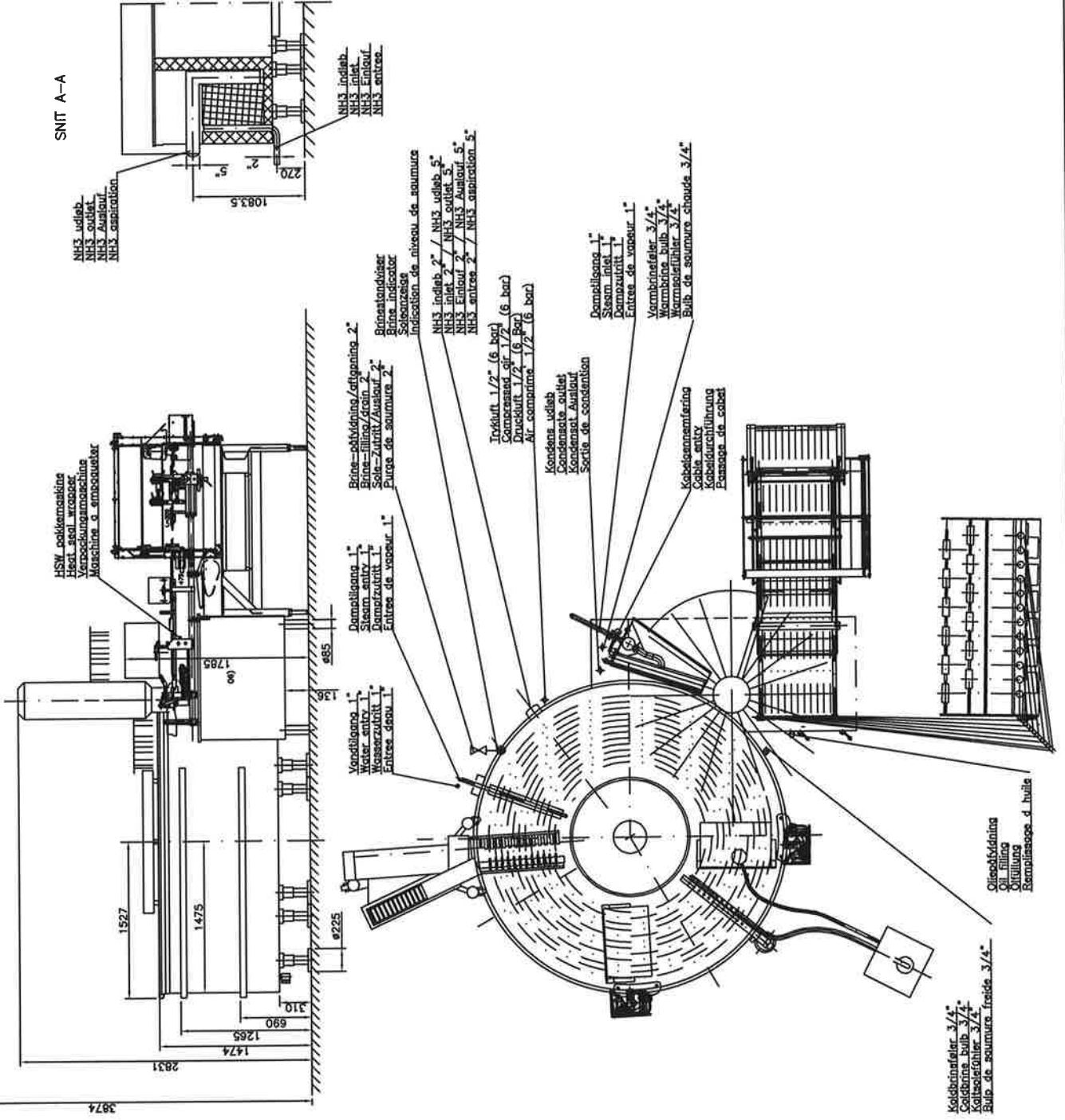
NH3 indløb 2" / NH3 udløb 5"
NH3 inlet 2" / NH3 outlet 5"
NH3 Einlauf 2" / NH3 Auslauf 5"
NH3 entree 2" / NH3 aspiration 5"

Pipes for:
Water 3/4" (3600 ltr./h)
Steam 1" (200kg/h at 2 bar)
Compressed air 1/2" (7 bar) (~1 Nm³/h)
Compressed air for HSW 1/2" (7 bar)
(~0.5 Nm³/h)



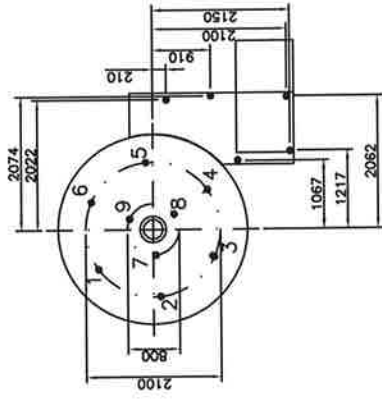
—höhe des — Höhe des

ers für Bottom Up Filler



SNIT A-A

(1:40)



Machines vešt — Weight of the machine
Gewichtbelastung der Maschine
Poids de la machine

Totalweight—Gesamtgewicht—Poids total de la machine
15,500 kg 34,100 lbs

Punkt Point	kg	lbs
1	1450	3190
2	1300	2860
3	1700	3740
4	1600	3520
5	1600	3520
6	1300	2860
7	1300	2860
8	1300	2860
9	390	858
10	570	1254
11	370	814
12	370	814
13	370	814
14	950	2090

Revised drawings

Rev.	Date	Updated MSW
1	1/82	Medium
2	1/82	Light
3	1/82	Dark
4	1/82	Dark
5	1/82	Dark
6	1/82	Dark
7	1/82	Dark
8	1/82	Dark
9	1/82	Dark
10	1/82	Dark
11	1/82	Dark
12	1/82	Dark
13	1/82	Dark
14	1/82	Dark

Rev. 1: Factory Layout HUMANA
Rev. 2: BIA 14 + Econopak
Rev. 3:
Rev. 4:
Rev. 5:

Gram Equipment
PART NO. 66 460 0931
REV. 4/07 A1
Scale 1:20

© 1982 by Gram Equipment, Inc., a Division of General Electric, All Rights Reserved. This drawing is the property of General Electric. No part of this drawing may be reproduced in any form or by any means without the prior written permission of General Electric.