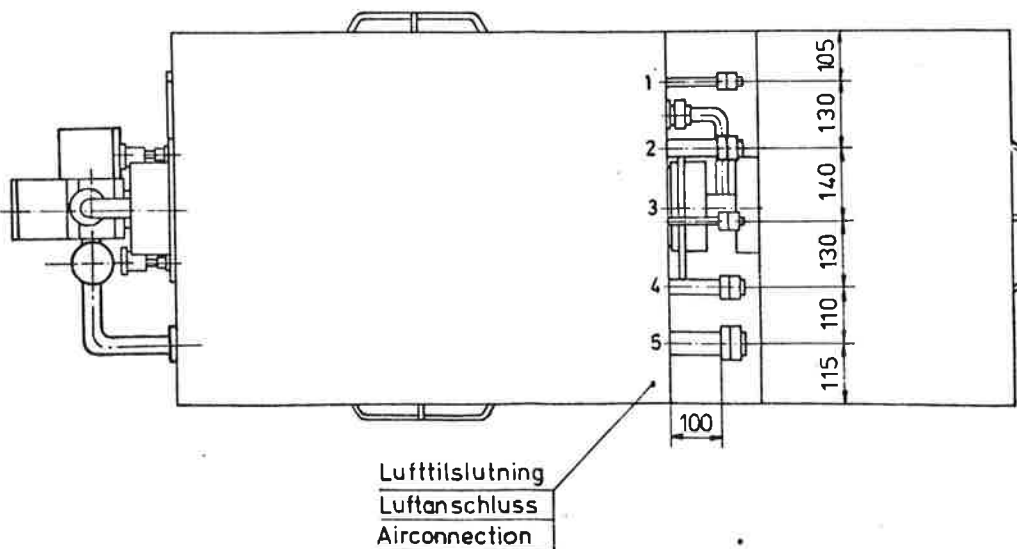
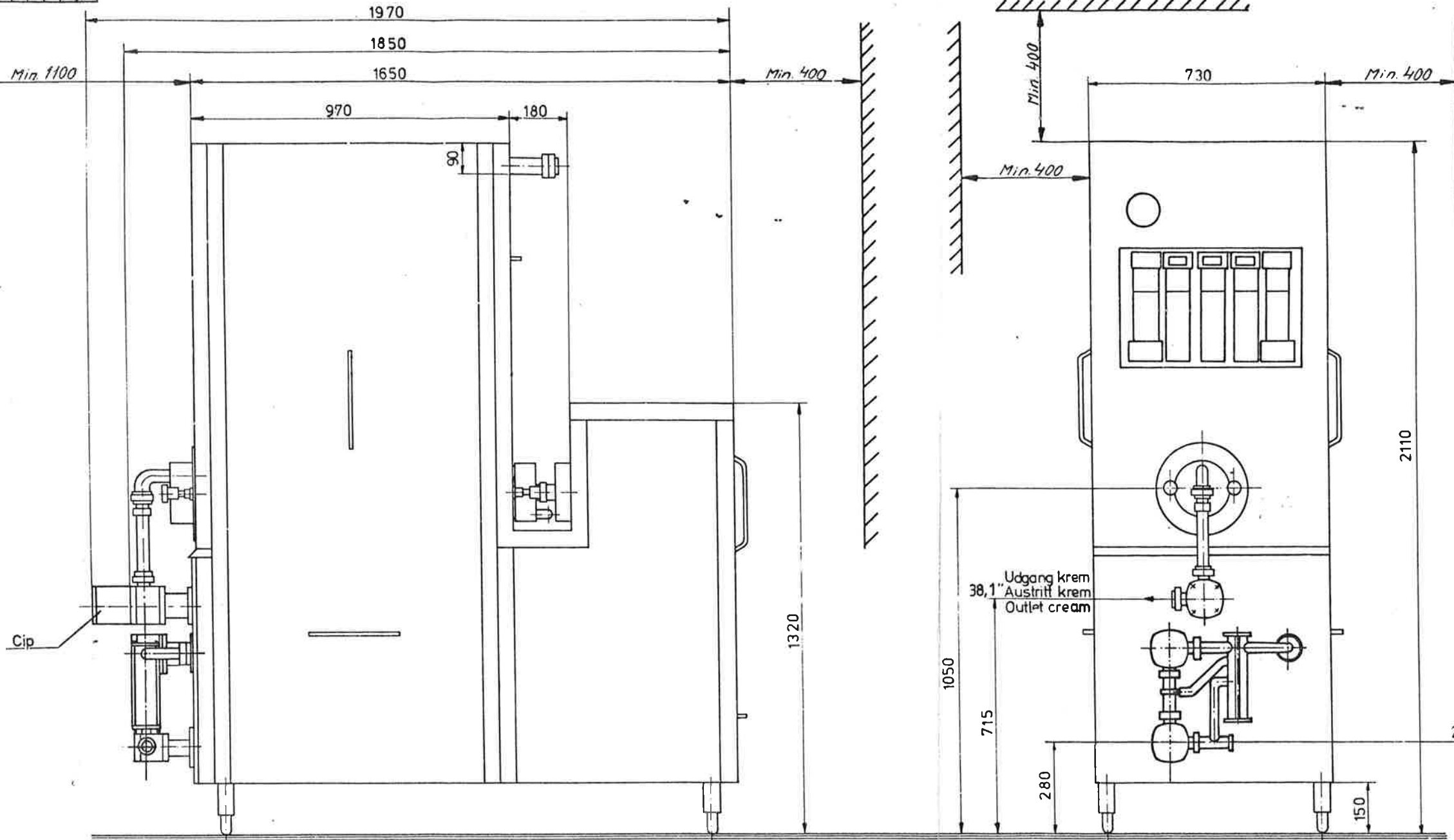


Drawing No. **B9410920208**



|   | R 22<br>R 502<br>UDV.<br>DIAM.<br>M.M. | NH3<br>NOM.<br>UDV.<br>DIAM.<br>MM.      |
|---|--|--|
| ① | 22                                     | 17,3 NH <sub>3</sub> Væskeledning        |
|   | 22                                     | 17,3 NH <sub>3</sub> Flüssigkeitsleitung |
|   | 22                                     | 17,3 NH <sub>3</sub> Liquid line         |
| ② | 22                                     | 21,3 NH <sub>3</sub> Varmgasledning      |
|   | 22                                     | 21,3 NH <sub>3</sub> Heissgasleitung     |
|   | 22                                     | 21,3 NH <sub>3</sub> Gasline (defrost)   |
| ③ | 16                                     | 17,3 NH <sub>3</sub> Tomsugningst.       |
|   | 16                                     | 17,3 NH <sub>3</sub> Entleerungsleitung  |
|   | 16                                     | 17,3 NH <sub>3</sub> Discharge line      |
| ④ | 22                                     | 21,3 NH <sub>3</sub> Sikkerhedsledning   |
|   | 22                                     | 21,3 NH <sub>3</sub> Sicherheitsleitung  |
|   | 22                                     | 21,3 NH <sub>3</sub> Safety line         |
| ⑤ | 48,3                                   | 48,3 NH <sub>3</sub> Sugeledning         |
|   | 48,3                                   | 48,3 NH <sub>3</sub> Saugleitung         |
|   | 48,3                                   | 48,3 NH <sub>3</sub> Suction line        |

Ret til mindre ændringer forbeholdes.  
Wir behalten uns das Recht auf kleinere Änderungen vor.  
We reserve the right to make minor alterations.

| Article No.   | Name/Designation   | Material (final condition)/Blank   | Note   |
|---|--|--|--|
|   | Iskremfryser KF 1150 XC<br>Eiskremgefrier KF 1150 XC<br>Ice cream freezer KF 1150 XC   |  |  |
| <p>Tolerances, der ikke angives ved spåntagende bearbejdn. klipping eller stansning.</p> <p>Tolerances where not stated Chip cutting shearing or punching</p>                       |  | <p>Kanter brækkes 0,4 x 45° ± R 0,5<br/>Grater ljerne<br/>Overfladeruhed Ra/μm AL 2004 708</p> <p>Scale 1:10</p> <p>Dept. 830202</p> <p>Draw. ME Checked Appr.</p> <p>Sid. checked Prod. checked</p> <p>Class. No.</p> |  |
| <p>Samt Basic size Tol.</p> <p>(1) 6 ± 0,2</p> <p>(8) 30 ± 0,5</p> <p>(30) 120 ± 0,8</p> <p>(120) 318 ± 1,2</p> <p>(318) 1000 ± 2</p> <p>(1000) 2000 ± 3</p> <p>(2000) 4000 ± 4</p> | <p>Tolerances</p> <p>- of dimensions AL 2004 100</p> <p>- of form and position AL 2004 300</p> <p>- where not stated AL 2004 860</p> | <p>First angle projection<br/>ISO method 2</p>   | <p>Complementary drawing No.</p> <p>94</p> <p>Drawing No.</p> <p>B9410920208</p> |

The drawing is the property of ALFA LAVAL GROUP and must be copied, reproduced, transmitted or communicated to any third party without the prior written consent of ALFA LAVAL GROUP.

| Revision No. | Revised | Checked | Appr. |
|--------------|---------|---------|-------|
| 1            | ALH     | PHH     |       |

Replaces drawing No.   
 Rettet til mindre ændringer forbeholdes.  
 Wir behalten uns das Recht auf kleinere Änderungen vor.  
 We reserve the right to make minor alterations.