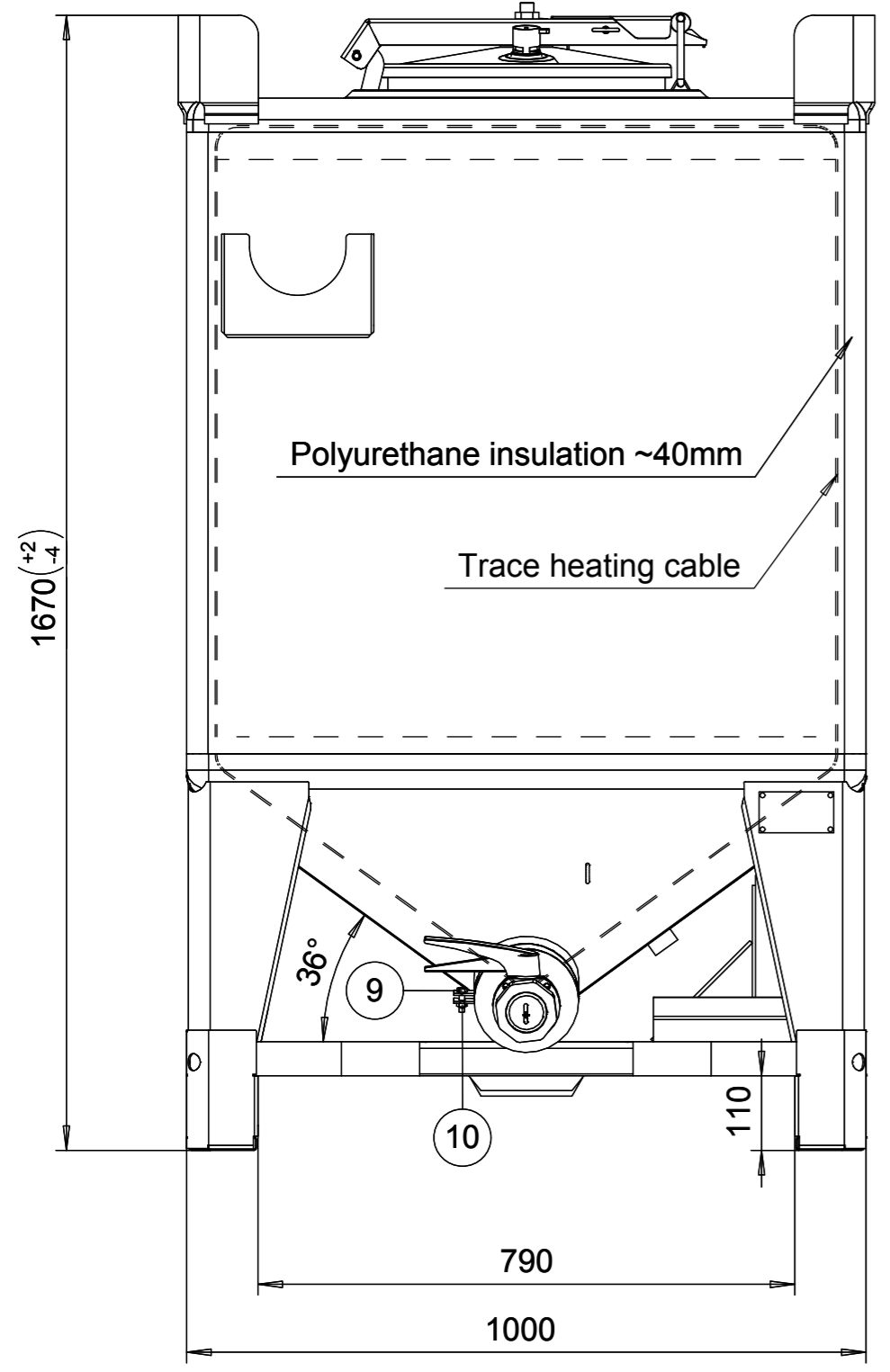
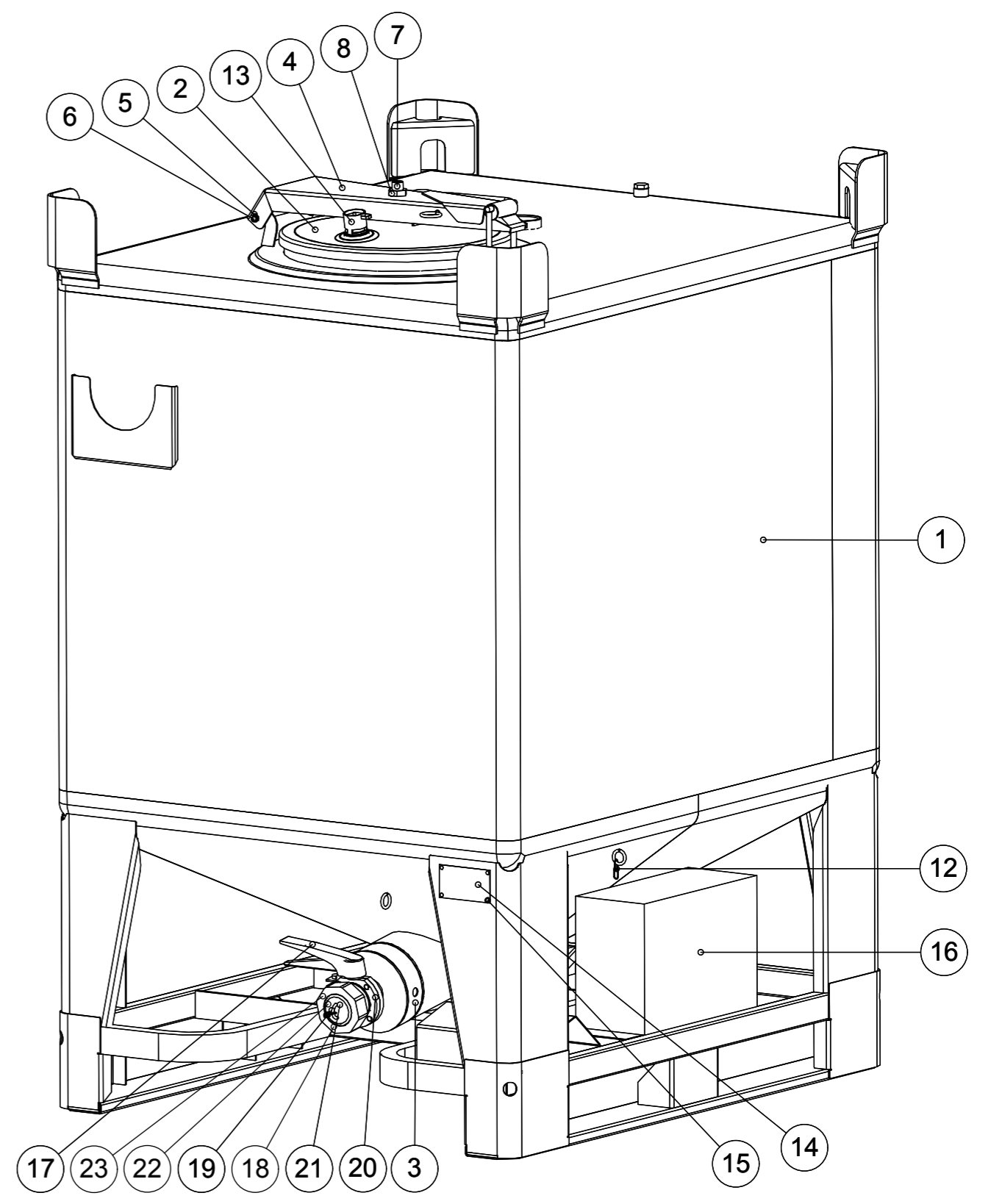
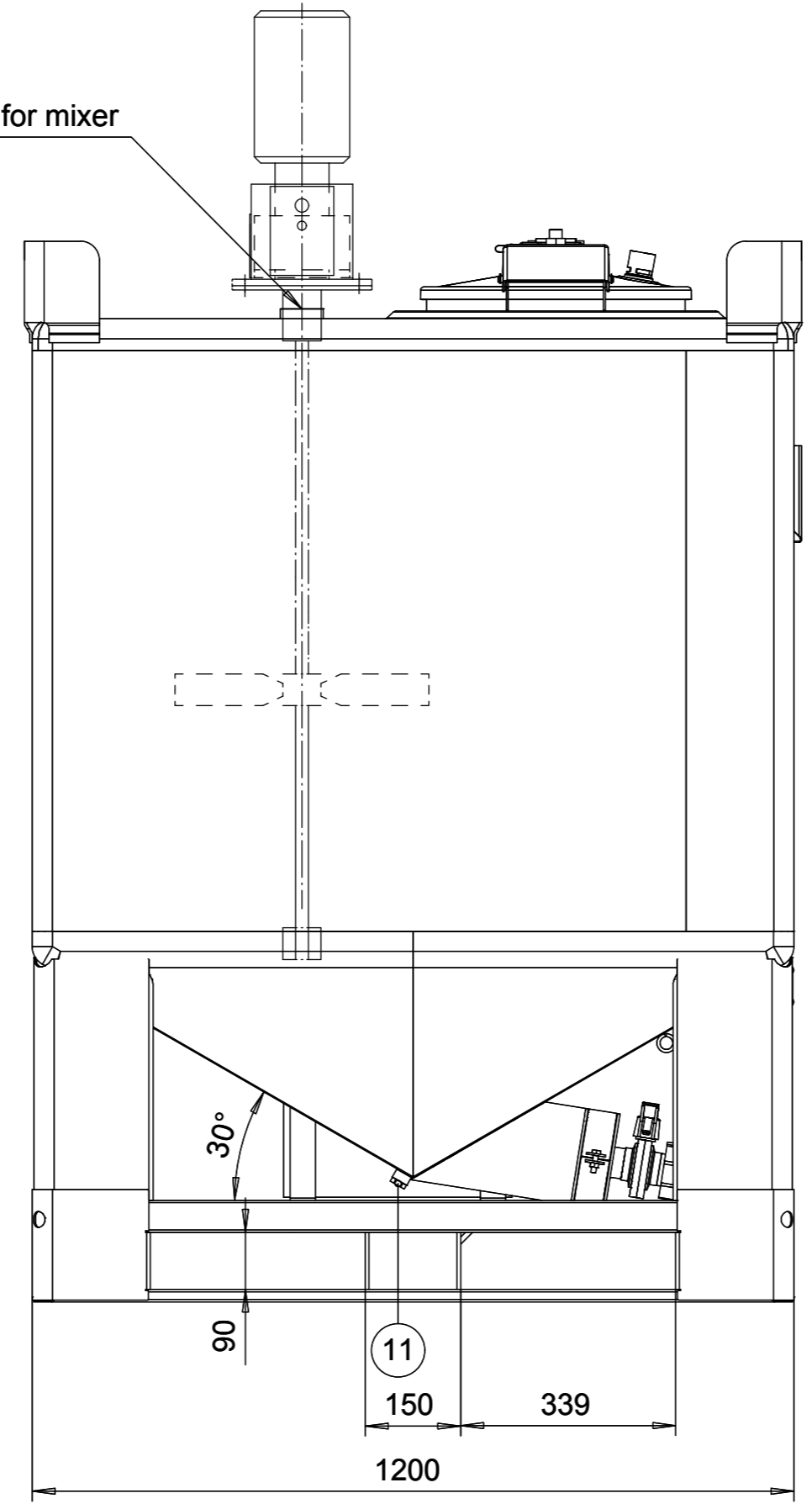


This DWG is owned by FINNCONT.
The use of the DWG for copying
or for any other purposes
without our permission is
absolutely prohibited.

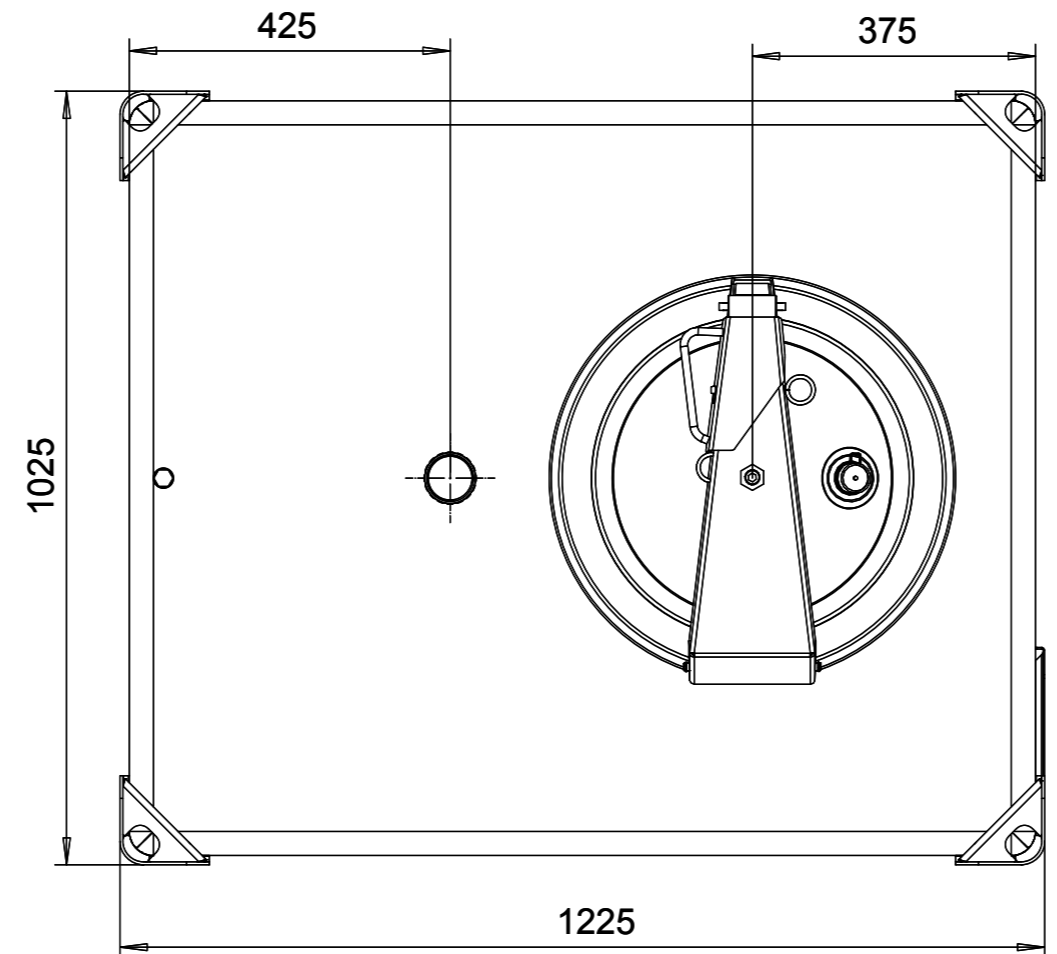


2" coupling for mixer



HEATING:

- *trace heating cable
- *power about 1500W/230V/1-circuit
- *optional power up to 2000W
- *electronic adjuster (e.g. OMRON E5CN)
- *PT-100-sensor situated to the bottom cone
- *fault current safety guard
- *over current safety guard
- *overheat safety guard
- *circuit breaker
- *heating resistor clamp about 40W/230V
- *on/off-switch in the control box
- *contact plug 16A/400V/5-pole
- *temperature range in use: +50°C...+85°C



23	KIRST-3016	NUT RJT/BS 51 2IN AISI 304		1
22	KIHST-3015	BLANK RJT51 2IN AISI316		1
21	KIHST-3013	WELDED UNIT RJT51 2IN AISI316		1
20	VEHST-1003	BUTTERFLY VALVE 51 AISI316 SIL		1
19	1362	FASTENING RING HALF SS5		1
18	TV99-0167-2	SEAL RJT/BS51 NBR		1
17	VE99-0006-2	GRIP ALFA-LAVAL 25-63,5 SHORT		1
16	ALSÄ-0001-4	ELECTRICITY OF HFC1000 1500W		1
15	KNRST-3003	RIVET 3.2x6.0 A2		4
14	KL99-0018	MANUF. PLATE FIN/GB 60*110 SS		1
13	VEHST-2006-1	PRE/VAC 1 IN JUN 65BT/00302 FPM		1
12	RA99-0012	CHAIN 2.0 DIN5685A AISI316		2
11	KIHST-0181	HEXAGON PLUG 1/2INCH AISI316		2
10	KNRST-1008	HEX NUT DIN934 M8 A2		1
9	KNRST-0070	HEX SCREW DIN933 M8x20 A2		1
8	KNRST-1009	HEX NUT DIN936 M20 A4		1
7	50495	LID HOLDER AXLE		1
6	50497	HINGLE AXLE		1
5	KN99-0001	SECURE PIN DIN471 10*1 A2		2
4	50538	LOCKING DEVICE ASSY		1
3	51142~2	COVER PART HFC Ø154 AISI304-2		1
2	50602f	COVER PL400 AISI316-25 1		1
1	53191	CONT. MOD. HFC1000 AISI316/304-2, M		1

Part Code/DWG	Part or assembly name	Dimensions	QTY
Code	Associated with	Weight kg	Untoleranced dimensions
HFC1000-5203		Calc. Meas.	
Scale	Drawn	TSc	2009-08-18
1:10	Chk'd		
	App'd		

FINNCONT	HFC1000 AISI316/304-2 + MIXER	52036Ceng
	MAIN ASSY, HFC1000 AISI316/304-2	
	HFC	1
	Replace	Replaced

2		STIFFENING PARTS BETWEEN	2009-10-21	TSc	
1		DN CHANGED INTO RJT	2009-08-18	TSc	
Rev.	Field	Modification	Date	Drawn	App'd