

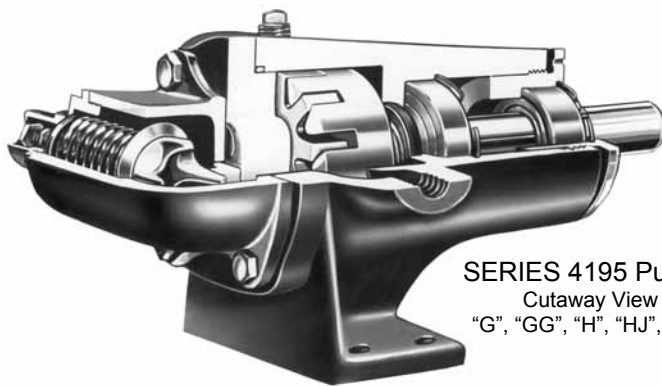
# VIKING® HEAVY DUTY PUMPS

## SERIES 4195

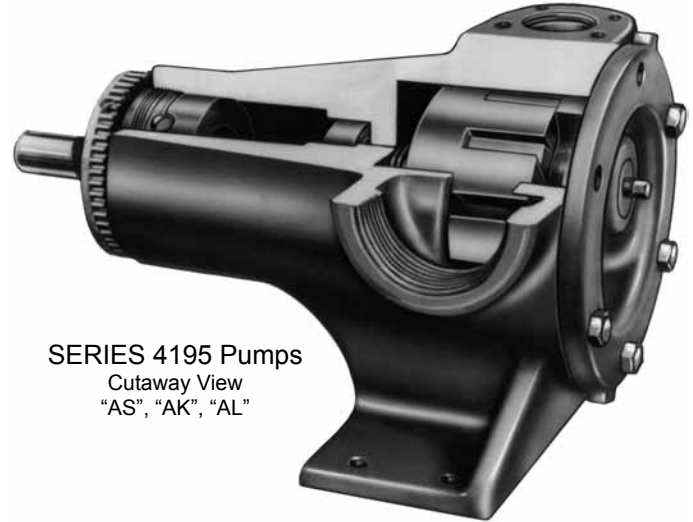
### STANDARD CONSTRUCTION

#### FEATURES

① Pressure Range	250 PSI (17 BAR) for 100 SSU (20 cSt) and above 150 PSI (10 BAR) for 38 to 100 SSU (3 cSt to 20 cSt) 100 PSI (7 BAR) for below 38 SSU (3 cSt)
① Temperature Range	- 40° F. to + 350°F. (- 40° C. to + 177°C.)
① Viscosity Range	28 SSU to 15,000 SSU (0.1 cP to 3,300 cSt)

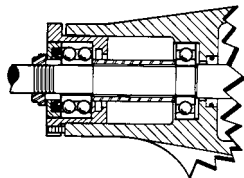


SERIES 4195 Pumps  
Cutaway View  
"G", "GG", "H", "HJ", "HL"



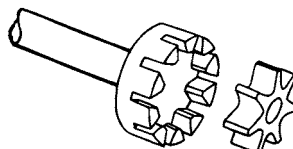
SERIES 4195 Pumps  
Cutaway View  
"AS", "AK", "AL"

**GPM up to 75**  
**(M<sup>3</sup>/Hr up to 17)**  
 ② (Nominal Rating)



**BALL BEARINGS**  
(Standard Equipment)

Pumps are equipped with inner casing ball bearing installed outside of mechanical seal and a radial thrust ball bearing permitting heavy-duty service up to 250 PSI (17 BAR). Bearings are "Sealed for Life".



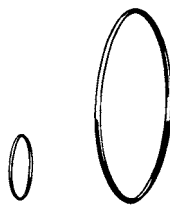
**DUCTILE IRON PARTS**  
(Standard Equipment)  
("AS", "AK", "AL" Sizes)

Internal pumping gears (rotor and idler) are constructed of ductile iron for added strength in handling all types of liquids up to 15,000 SSU (3,300 cSt). "HL" size rotor also furnished in ductile iron.



**PRESSURE LUBRICATION**  
(Standard Equipment)  
("AS", "AK", "AL" Sizes)

A patented pressure lubrication system automatically lubricates the idler bushing. This system provides a constant film of liquid between the idler bushing and idler pin at a pressure equal to the pump discharge pressure regardless of pump rotation.



**O-RING GASKETS**  
(Standard Equipment)

O-Ring gaskets are used between casing and head plate and between casing and relief valve or valve plates. Flat valve gaskets furnished on "G", "GG", "H", "HJ" and "HL" size pumps. These gaskets provide a positive seal eliminating a chance for leakage at these points.

Viking's high-speed, heavy-duty Series 4195 pumps are available in capacities up to 75 GPM. These pumps can be furnished directly connected to a 50 Hz or 60 Hz motor. (See Series 4195D units shown on page 144.3.) All eight sizes of Viking Series 4195 pumps are furnished with single mechanical seals. This seal is a simple self-adjusting, non-leak method of shaft sealing located ahead of the casing ball bearing. The Series 4195 pumps are built for continuous or intermittent duty for such applications as filtering, circulating, transferring, or booster service in general industrial, petroleum and marine uses. NOTE: "UL" listed pumps for handling flammable liquids require special construction. Externals are high strength cast iron. (Ductile Iron Casing on "AS", "AK" and "AL" sizes). See Catalog Section 440 for details and pricing information. Model numbers for these pumps must be designated by a suffix -F, eg. GG4195-F or when used with a "D" drive, GG4195D-F. "UL" listed models **must** be equipped with either an internal or return-to-tank safety relief valve. Maximum discharge pressure for "UL" listed models is 125 PSIG.

① Values shown represent minimums or maximums. Some special construction or consideration may be required before a cataloged pump can be applied to an application involving maximum pressure or minimum or maximum temperature and/or viscosity. Certain models have restrictions in pressures and/or viscosities. See specifications, page 144.2, and performance curves.

② Nominal capacities based on handling thin liquids.

Metric conversions are based on US measurements and rounded to the nearest whole number.

Section	144
Page	144.2
Issue	E

# VIKING® HEAVY DUTY PUMPS

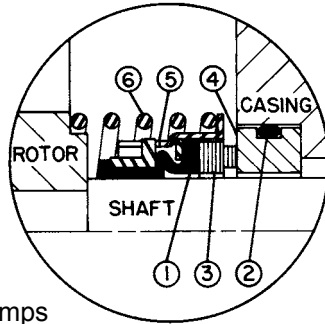
## SERIES 4195

### STANDARD CONSTRUCTION

#### UNMOUNTED PUMPS

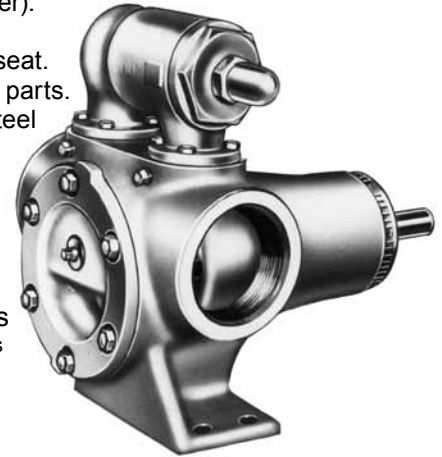


SERIES 4195 Pumps  
“G”, “GG”, “H”, “HJ” and “HL” Sizes



#### MECHANICAL SEAL

- ① Buna-N bellows.
- ② Buna-N O-ring.
- ③ Carbon rotating face (washer).
- ④ Ni-Resist stationary seat.
- ⑤ Steel metal parts.
- ⑥ Stainless steel spring.



SERIES 4195 Pumps  
“AS”, “AK” and “AL” Sizes

In addition to the famous features listed on the previous page, Series 4195 heavy-duty pumps are furnished with an integral relief valve as shown in the pump photos above. Return-to-tank valves are also available on all models on request. Note: On the “G”, “GG”, “H”, “HJ” and “HL” sizes, the valve mounts on the pump head. The “AS”, “AK” and “AL” size value mounts on top of the pump casing. All sizes equipped with Buna-N mechanical seal with carbon rotating and Ni-Resist stationary faces.

*Dimensions for Unmounted Pumps—See Page 144.6.  
Performance Data for Unmounted Pumps—See Pages 144.13 through 144.26.*

#### CONSTRUCTION — SERIES ① 4195 (“GG” THROUGH “AL” SIZES)

Standard Construction Models	Casing	Head	Rotor	Idler	Rotor Shaft and Idler Pin	Idler Bushing	Internal Safety Relief Valve
G4195 , GG4195 H4195 , HJ4195	Iron	Iron	② Iron	③ Iron	Steel	Carbon Graphite	Iron
HL4195	Iron	Iron	Ductile Iron	Iron	Steel	Carbon Graphite	Iron
AS4195 , AK4195 , AL4195	Iron	Iron	Ductile Iron	Ductile Iron	Steel	Carbon Graphite	Iron

#### SPECIFICATION — UNMOUNTED PUMPS

Pump Model	Port Size (NPT)	Nominal Capacity at Maximum Rated Speed 22 cSt (100 SSU) Liquid ④				Maximum Pressure ⑦	Maximum Hydrostatic Pressure	Steel Fitted Construction Recommended Above This Viscosity ⑤	Maximum Recommended Temperature ①		Approximate Shipping Weight		
		60 Hz Motor Speed		50 Hz Motor Speed					Deg. F	Deg. C	Lb.	Kg.	
		Inch	GPM	RPM	M <sup>3</sup> /hr								RPM
G4195	1	8	1800	1.5	1500	100 (7)—below 38 SSU 150 (10)—38 to 100 SSU 250 (17)—above 100 SSU	400	28	7500 (1619)	225	107	20	9
GG4195	1	10	1800	2	1500								
H4195	1½	15	1800	2.9	1500								
HJ4195	1½	20	1800	4	1500								
HL4195	1½	30	1800	6	1500								
AS4195	2½	35	1200	10.4	1500								
AK4195	2½	50	1200	15.7	1500								
AL4195	3	75	1200	21.2	1500								
				13.6	1000								

① Standard Buna-N seal from -20°F. to +225°F. (-29°C. to +107°C.) With special construction, temperatures from -40°F. to +350°F. (-40°C. to +177°C.) can be handled with this series.  
② When steel fitted construction is required, “GG” will have steel rotor, “HJ” will have ductile iron rotor.

③ “GG” size has steel idler.  
④ Nominal capacities based on handling thin liquids.  
⑤ For viscosities above 15,000 SSU (3,300 cSt), provide details for recommendations.  
⑥ These models have ductile iron rotors; steel fitted rotors not necessary.  
⑦ If suction pressure exceeds 100 PSIG (7 BAR), consult factory.

*Metric conversions are based on US measurements and rounded to the nearest whole number.*

# VIKING® HEAVY DUTY PUMPS

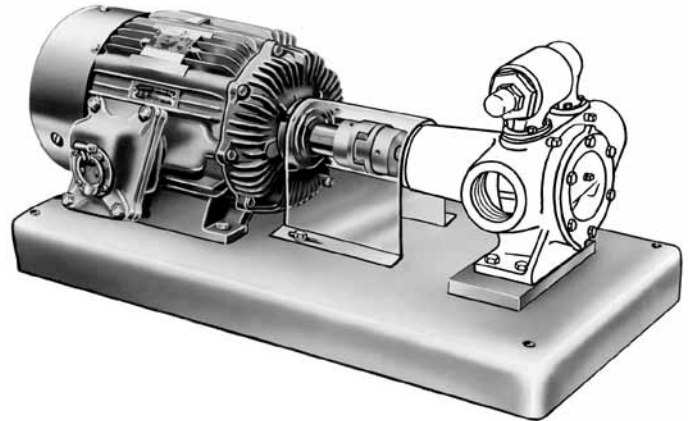
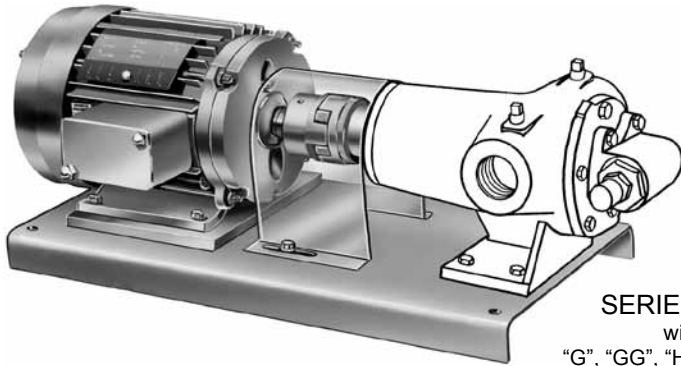
## SERIES 4195

### STANDARD CONSTRUCTION

Section	144
Page	144.3
Issue	E

#### DIRECT DRIVE UNITS (“D” DRIVE)

SERIES 4195 Pumps  
with “D” Drive  
“AS”, “AK” and “AL” Sizes



SERIES 4195 Pumps  
with “D” Drive  
“G”, “GG”, “H”, “HJ” and “HL” Sizes

Series 4195 pumps in the “G”, “GG”, “H”, “HJ” and “HL” size are designed for high-speed, heavy-duty service. The pump is connected by a flexible coupling with guard directly to a 50 Hz or 60 Hz motor. See series 4195D chart below. Both pump and motor mount on a sturdy formed steel base. This makes a very compact, rugged unit for heavy-duty service, handling many types of fluids up to 15,000 SSU (3,300 cSt).

The three large size Series 4195D direct connected units all feature the 4195 high-speed pump connected by a flexible coupling with guard to 50 Hz or 60 Hz motor. See chart below.

Both pump and motor are mounted on a heavy-duty formed steel base. The three larger sizes are equipped with ductile iron pump gears (rotor and idler). O-Ring head and valve gaskets, mechanical seals and automatic pressure lubrication systems are also standard construction. These pumps are also available with steel externals, see Section 154.

*Dimensions for “D” Drive—See Page 144.7.*

*Performance Data for “D” Drive—See Pages 144.13 through 144.26.*

#### SPECIFICATIONS — “D” DRIVE UNITS

Pump Model	Port Size (NPT)	Nominal Capacity at Maximum Rated Speed 22 cSt (100 SSU) Liquid ①				Maximum Pressure ⑤	Maximum Hydrostatic Pressure		Steel Fitted Construction Recommended Above This Viscosity ③	Maximum Recommended Temperature ②		Approximate Shipping Weight		
		60 Hz Motor Speed		50 Hz Motor Speed			PSI (BAR)	PSI (BAR)		SSU (cSt)	Deg. F	Deg. C	Lb.	Kg.
		Inch	GPM	RPM	M <sup>3</sup> /hr									
G4195D	1	8 5	1800 1200	1.5 1	1500 1000	100 (7)—below 38 SSU 150 (10)—38 to 100 SSU 250 (17)—above 100 SSU	400	28	7500 (1619)	225	107	46	21	
GG4195D	1	10 7	1800 1200	2 1.3	1500 1000		400	28	7500 (1619)	225	107	46	21	
H4195D	1½	15 10	1800 1200	2.9 2	1500 1000		400	28	25000 (5500)	225	107	69	31	
HJ4195D	1½	20 14	1800 1200	4 2.6	1500 1000		400	28	7500 (1619)	225	107	69	31	
HL4195D	1½	30 20	1800 1200	6 4	1500 1000		400	28	④	225	107	69	31	
AS4195D	2½	35	1200	10.4 6.6	1500 1000		400	28	④	225	107	215	97	
AK4195D	2½	50	1200	15.7 10	1500 1000		400	28	④	225	107	215	97	
AL4195D	3	75	1200	21.2 13.6	1500 1000		400	28	④	225	107	220	100	

① Nominal capacities based on handling thin liquids.

② With special construction, temperatures to + 350°F. (177°C.) can be handled with this series.

③ For viscosities above 15,000 SSU (3,300 cSt), provide details for recommendations.

④ These models have ductile iron rotors; steel fitted rotors not necessary.

⑤ If suction pressure exceeds 100 PSIG (7 BAR), consult factory.

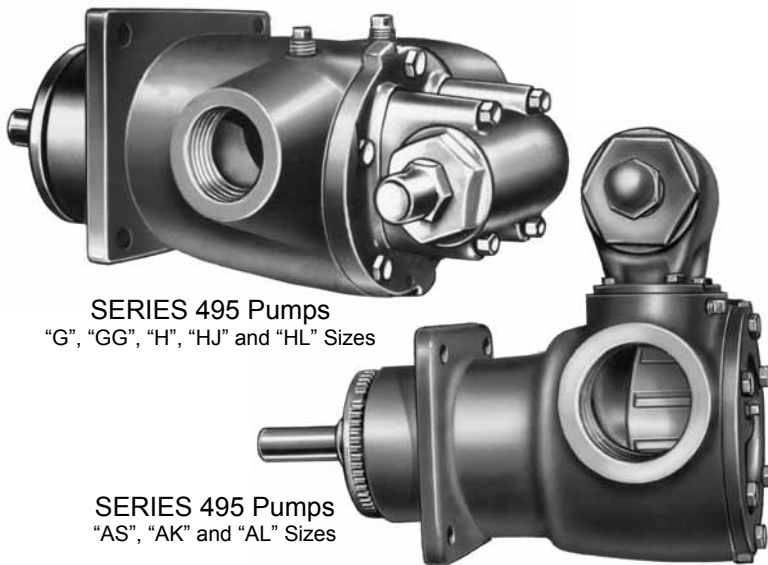
Section	144
Page	144.4
Issue	E

# VIKING® HEAVY DUTY PUMPS

## SERIES 495

### STANDARD CONSTRUCTION

#### FLANGE BRACKET UNMOUNTED PUMPS



SERIES 495 Pumps  
“G”, “GG”, “H”, “HJ” and “HL” Sizes

SERIES 495 Pumps  
“AS”, “AK” and “AL” Sizes

Series 495 pumps are similar to the Series 4195 on preceding pages with the exception of a flange bracket mount casing.

① Pressure Range	250 PSI (17 BAR) for 100 SSU (20 cSt) and above 150 PSI (10 BAR) for 38 to 100 SSU (3 cSt to 20 cSt) 100 PSI (7 BAR) for below 38 SSU (3 cSt)
① Temperature Range	- 40° F. to + 350°F. (- 40° C. to + 176°C.)
① Viscosity Range	28 SSU to 15,000 SSU (0.1 cP to 3,300 cSt)

**GPM up to 75**  
**(M<sup>3</sup>/Hr up to 17)**

④ (Nominal Rating)

All eight sizes are furnished with single mechanical seals, including Buna-N elastomer gaskets.

Standard construction features internal type safety relief valve on pump head or casing (depending on pump size), O-Ring head and valve gaskets, and automatic pressure lubrication system on the three larger size pumps.

The 495 series offers an optional flange port for sizes H-AL. Contact the factory for details.

*Dimensions for Unmounted Pumps—See Page 144.8.*

*Performance Data for Unmounted Pumps—See Pages 144.13 through 144.26.*

#### CONSTRUCTION — SERIES ⑤ 495 (“GG” THROUGH “AL” SIZES)

Standard Construction Models	Mounting Bracket (Units Only)	Casing	Head	Rotor	Idler	Rotor Shaft and Idler Pin	Idler Bushing	Internal Safety Relief Valve
G495 , GG495 H495 , HJ495	Iron	Iron	Iron	⑥ Iron	⑦ Iron	Steel	Carbon Graphite	Iron
HL495	Iron	Iron	Iron	Ductile Iron	Iron	Steel	Carbon Graphite	Iron
AS495 , AK495 , AL495	Iron	Iron	Iron	Ductile Iron	Ductile Iron	Steel	Carbon Graphite	Iron

#### SPECIFICATION — UNMOUNTED PUMPS

Pump Model	Port Size (NPT)	Nominal Capacity at Maximum Rated Speed 22 cSt (100 SSU) Liquid ④				Maximum Pressure ⑤	Maximum Hydrostatic Pressure	Steel Fitted Construction Recommended Above This Viscosity ③	Maximum Recommended Temperature ②		Approximate Shipping Weight		
		60 Hz Motor Speed		50 Hz Motor Speed					Deg. F	Deg. C	Lb.	Kg.	
		GPM	RPM	M <sup>3</sup> /hr	RPM								
Inch	GPM	RPM	M <sup>3</sup> /hr	RPM	PSI (BAR)	PSI	BAR	SSU (cSt)	Deg. F	Deg. C	Lb.	Kg.	
G495	1	8 5	1800 1200	1.5 1	1500 1000	100 (7)—below 38 SSU 150 (10)—38 to 100 SSU 250 (17)—above 100 SSU	400	28	7500 (1619)	225	107	18	8
GG495	1	10 7	1800 1200	2 1.3	1500 1000		400	28	7500 (1619)	225	107	18	8
H495	1½	15 10	1800 1200	2.9 2	1500 1000		400	28	25000 (5500)	225	107	40	18
HJ495	1½	20 14	1800 1200	4 2.6	1500 1000		400	28	7500 (1619)	225	107	40	18
HL495	1½	30 20	1800 1200	6 4	1500 1000		400	28	⑧	225	107	40	18
AS495	2½	35	1200	10.4 6.6	1500 1000		400	28	⑧	225	107	80	36
AK495	2½	50	1200	15.7 10	1500 1000		400	28	⑧	225	107	80	36
AL495	3	75	1200	21.2 13.6	1500 1000		400	28	⑧	225	107	81	37

① Consult factory for specific recommendations.

② Standard Buna-N seal from -20°F. to +225°F. (-29°C. to +107°C.) With special construction, temperatures from -40°F. to +350°F. (-40°C. to +177°C.) can be handled with this series.

③ For viscosities above 15,000 SSU (3,300 cSt), provide details for recommendations.

④ Nominal capacities based on handling thin liquids.

⑤ Buna-N elastomer used in mechanical seal of Series 495 pumps.

⑥ When steel fitted construction is required, “GG” will have steel rotor, “HJ” will have ductile iron rotor.

⑦ “GG” size has steel idler.

⑧ These models have ductile iron rotors; steel fitted rotors not necessary.

⑨ If suction pressure exceeds 100 PSIG (7 BAR), consult factory.

*Metric conversions are based on US measurements and rounded to the nearest whole number.*

# VIKING® HEAVY DUTY PUMPS

## SERIES 495

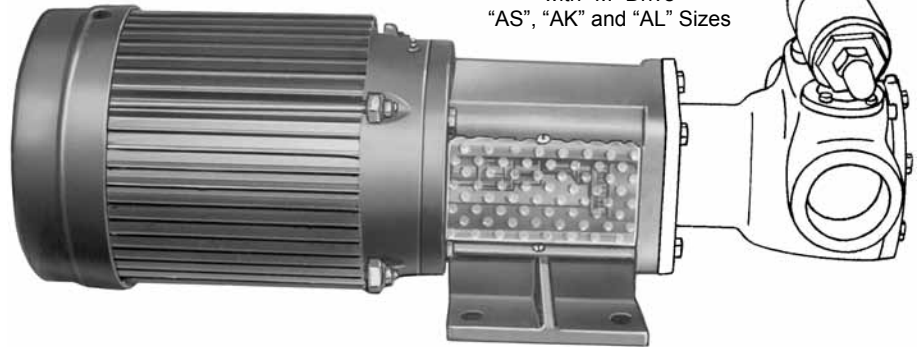
### STANDARD CONSTRUCTION

Section	144
Page	144.5
Issue	F

### FLANGE BRACKET MOUNTED UNITS (“M” DRIVE)



SERIES 495 Pumps  
with “M” Drive  
“G”, “GG”, “H”, “HJ” and “HL” Sizes



SERIES 495 Pumps  
with “M” Drive  
“AS”, “AK” and “AL” Sizes

For a compact horizontal mounting, the face mounted 495M heavy-duty pump units in all eight sizes include a combination motor “C” flange and square pump flange bracket with coupling connecting motor and pump.

The three larger size pumps are equipped with ductile iron pump gears (rotor and idler) and

automatic pressure lubrication system. All sizes have O-Ring head and valve gaskets and mechanical seals as standard construction. These pumps are also available with steel externals, see Section 154.

*Dimensions for “M” Drive—See Page 144.9 and 144.10.*

*Performance Data for “M” Drive—See Pages 144.13 through 144.26.*

### SPECIFICATIONS — “M” DRIVE UNITS

Pump Model	Port Size (NPT)	Nominal Capacity at Maximum Rated Speed 22 cSt (100 SSU) Liquid ①				Maximum Pressure ③	Maximum Hydrostatic Pressure	Steel Fitted Construction Recommended Above This Viscosity ④	Maximum Recommended Temperature ②		Approximate Shipping Weight							
		60 Hz Motor Speed		50 Hz Motor Speed					Deg. F	Deg. C	Lb.	Kg.						
		Inch	GPM	RPM	M <sup>3</sup> /hr								RPM					
G495M	1	8 5	1800 1200	1.5 1	1500 1000	100 (7)—below 38 SSU 150 (10)—38 to 100 SSU 250 (17)—above 100 SSU	400	28	7500 (1619)	225	107	28	13					
GG495M	1	10 7	1800 1200	2 1.3	1500 1000													
H495M	1½	15 10	1800 1200	2.9 2	1500 1000													
HJ495M	1½	20 14	1800 1200	4 2.6	1500 1000													
HL495M	1½	30 20	1800 1200	6 4	1500 1000													
AS495M	2½	35	1200	10.4 6.6	1500 1000									④	225	107	90	41
AK495M	2½	50	1200	15.7 10	1500 1000									⑧	225	107	90	41
AL495M	3	75	1200	21.2 13.6	1500 1000									④	225	107	95	43

① Nominal capacities based on handling thin liquids.

② With special construction, temperatures to + 350°F. (177°C.) can be handled with this series.

③ For viscosities above 15,000 SSU (3,300 cSt), provide details for recommendations.

④ These models have ductile iron rotors; steel fitted rotors not necessary.

⑤ If suction pressure exceeds 100 PSIG (7 BAR), consult factory.

*Metric conversions are based on US measurements and rounded to the nearest whole number.*

Section	144
Page	144.6
Issue	C

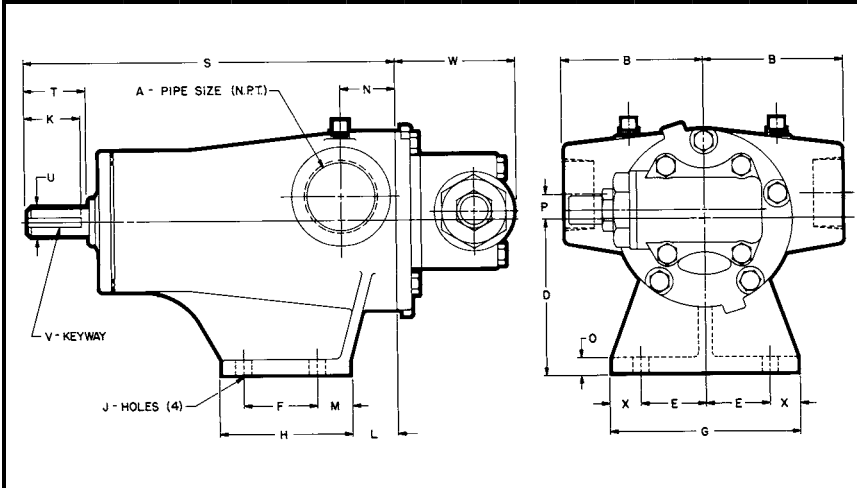
# VIKING® HEAVY DUTY PUMPS

## SERIES 4195

### STANDARD CONSTRUCTION

### DIMENSIONS

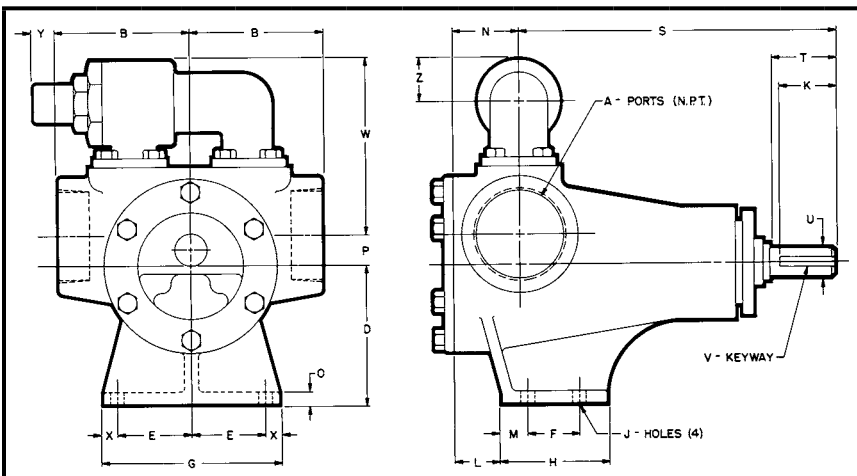
These dimensions are average and not for construction purposes. Certified prints on request.



For specifications, see page 144.2.

### DIMENSIONS— SERIES 4195 UNMOUNTED PUMPS “G” — “GG” — “H” — “HJ” — “HL” SIZES

MODEL NO.		A	B	D	E	F	G	H	J	K	L	M	N	O	P	S	T	U	V	W	X
G4195 GG4195	in	1	2.75	2.75	1.62	1.31	4.00	2.44	.34	.94	.03	.66	1.12	.31	.62	7.31	1.12	.500	FLAT	2.66	.38
	mm		70	70	41	33	102	62	9	24	1	17	29	8	16	186	29	12.70		67	10
H4195 HJ4195 HL4195	in	1½	3.75	4.12	1.75	2.00	5.00	3.50	.41	1.50	1.25	.88	1.50	.44	.62	10.00	1.62	.750	.19 x .09	3.28	.75
	mm		95	105	44	51	127	89	10	38	32	22	38	11	16	254	41	19.05		4.76 x 2.38	83



For specifications, see page 144.2.

### DIMENSIONS— SERIES 4195 UNMOUNTED PUMPS “AS” — “AK” — “AL” SIZES

MODEL NO.		A	B	D	E	F	G	H	J	K	L	M	N	O	P	S	T	U	V	W	X	Y	Z
AS4195	in	2½	5.00	5.25	2.88	2.00	6.75	4.00	.41	2.25	1.25	1.00	2.00	.44	1.12	12.12	2.50	1.000	.25 x .12	7.00	.50	1.00	1.72
	mm		127	133	73	51	171	102	10	57	32	25	51	11	29	308	60	25.40		6.35 x 3.18	178	13	25
AK4195	in	2½	5.00	5.25	2.88	2.00	6.75	4.00	.41	2.25	1.25	1.00	2.00	.44	1.12	12.12	2.50	1.000	.25 x .12	7.00	.50	1.00	1.72
	mm		127	133	73	51	171	102	10	57	32	25	51	11	29	308	60	25.40		6.35 x 3.18	178	13	25
AL4195	in	3	5.00	5.25	2.88	2.00	6.75	4.00	.41	2.25	1.75	1.00	2.50	.44	1.12	12.12	2.50	1.000	.25 x .12	7.00	.50	1.00	1.72
	mm		127	133	73	51	171	102	10	57	44	25	64	11	29	308	60	25.40		6.35 x 3.18	178	13	25

# VIKING® HEAVY DUTY PUMPS

## SERIES 4195

### STANDARD CONSTRUCTION

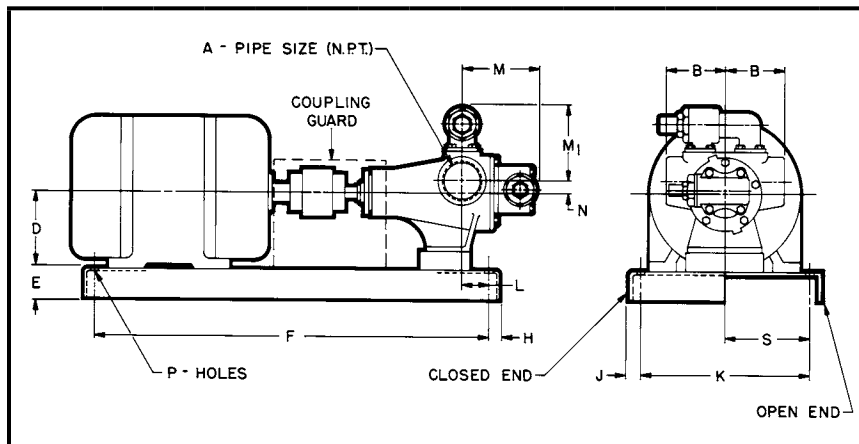
Section	144
Page	144.7
Issue	C

## DIMENSIONS

These dimensions are average and not for construction purposes. Certified prints on request.

For specifications, see page 144.3.

## DIMENSIONS— SERIES 4195 ("D" DRIVE) "G"—"GG"—"H"—"HJ"— "HL"—"AS"—"AK"—"AL" SIZES



MODEL NO.		A	B	D	E	F	H	J	K	L	M	M <sub>1</sub>	N	P	S
G4195D	in	1	2.75	① 3.50	1.50	20.50	.75	.75	8.50	.38	3.78		.62	.62	4.25
	mm		70	89	38	445	19	19	216	10	96		16	13	108
GG4195D	in	1	2.75	② 3.50	1.50	20.50	.75	.75	8.50	.38	3.78		.62	.62	4.25
	mm		70	89	38	521	19	19	216	10	96		16	13	108
H4195D	in	1½	3.75	③ 4.12	⑦ 2.12	20.50	.75	.75	8.50	0	4.78		.62	.62	4.25
	mm		95	114	54	521	19	19	216	0	121		16	13	108
HJ4195D	in	1½	3.75	④ 4.12	2.94	29.00	1.00	1.50	9.00	.25	4.78		.62	.62	4.50
	mm		95	114	75	635	25	38	229	6	121		16	14	114
HL4195D	in	1½	3.75	⑤ 5.25	2.94	29.00	1.00	1.50	9.00	.25	4.78		.62	.62	4.50
	mm		95	133	75	635	25	38	229	6	121		16	14	114
AS4195D	in	2½	5.00	④ 4.50	⑧ 3.69	29.00	1.00	1.50	9.00	0		7.00	1.12	.62	4.50
	mm		127	114	94	660	25	38	229	0		178	29	14	114
AK4195D	in	2½	5.00	⑥ 5.25	2.94	29.00	1.00	1.50	9.00	0		7.00	1.12	.62	4.50
	mm		127	133	75	737	25	38	229	0		178	29	14	114
AL4195D	in	3	5.00	⑥ 6.25	4.00	39.00	1.38	1.38	16.00	3.75		7.00	1.12	.62	8.00
	mm		127	159	102	991	35	35	406	95		178	29	16	203

① 56 frame motors (short base). (Available with "G" & "GG" size pumps.)

② 143T and 145T frame motors (long base). (Available with "G" & "GG" size pumps.)

③ 56, 143T and 145T frame motors. (Available with "H", "HJ" or "HL" size pumps.)

④ 182, 182T, 184, 184T frame motors. (Available with "H" through "AL" size pumps.)

⑤ 213, 213T, 215, 215T frame motors. (Available with "H" through "AL" size pumps.)

⑥ 254U, 254T, 256U, 256T frame motors. (Available with "AK" through "AL" size pumps.)

⑦ Dimensions includes motor block, base height is 1½".

⑧ Dimension includes motor block, base height is 2 1/16".

NOTE: All "AS", "AK", "AL" pump sizes available with any of the three motors shown in columns.

Section	144
Page	144.8
Issue	C

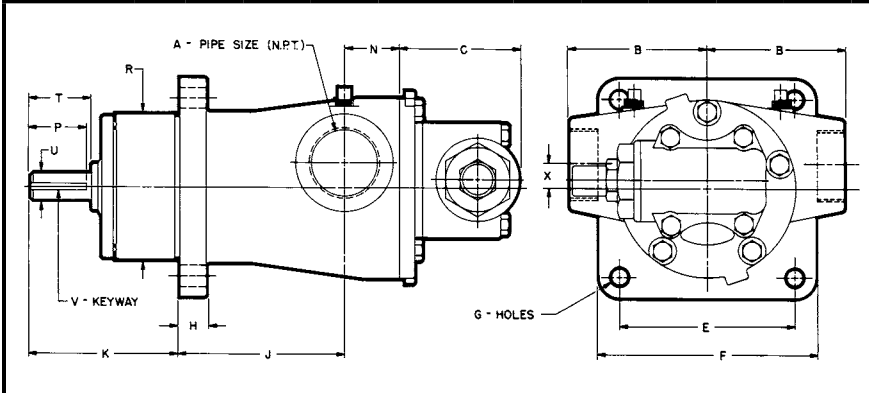
# VIKING® HEAVY DUTY PUMPS

## SERIES 495

### STANDARD CONSTRUCTION

### DIMENSIONS

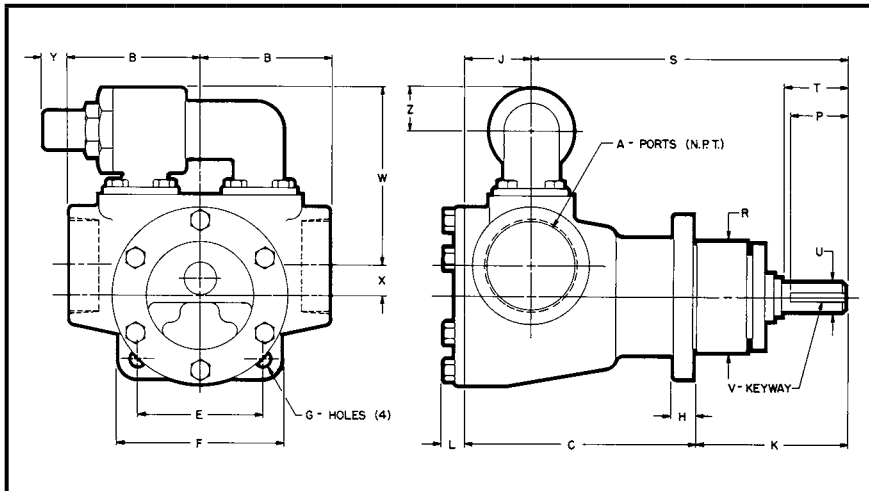
These dimensions are average and not for construction purposes. Certified prints on request.



For specifications, see page 144.4.

### DIMENSIONS— SERIES 495 UNMOUNTED PUMPS “G” — “GG” — “H” — “HJ” — “HL” SIZES

MODEL NO.		A	B	C	E	F	G	H	J	K	N	P	R	T	U	V	X
G495	in	1	2.75	2.66	3.00	4.00	.41	.50	3.44	2.81	1.12	.94	2.875 2.873	1.12	.500	FLAT	.62
GG495	mm		70	67	76	102	10	13	87	71	29	24	73	29	12.70		16
H495	in	1½	3.75	3.28	4.75	5.88	.56	.75	4.50	4.00	1.50	1.50	3.875 3.873	1.62	.750	.19 x .09	.62
HJ495	mm		95	83	121	149	14	19	114	102	38	38	98	41	19.05	4.76 x 2.38	16
HL495																	



For specifications, see page 144.4.

### DIMENSIONS— SERIES 495 UNMOUNTED PUMPS “AS” — “AK” — “AL” SIZES

MODEL NO.		A	B	C	E	F	G	H	J	K	L	P	R	S	T	U	V	W	X	Y	Z
AS495	in	2½	5.00	8.38	4.75	6.25	.56	.75	2.00	5.75	.75	2.25	4.250 4.248	12.12	2.50	1.000	.25 x .12	7.00	1.12	1.00	1.72
AK495	mm			213					51												
				8.88					2.50												
AL495	in	3	127	225	121	159	14	19	64	146	22	57	108	308	64	25.40	6.35 x 3.18	178	29	25	40
	mm																				



# VIKING® HEAVY DUTY PUMPS

## SERIES 495

### STANDARD CONSTRUCTION

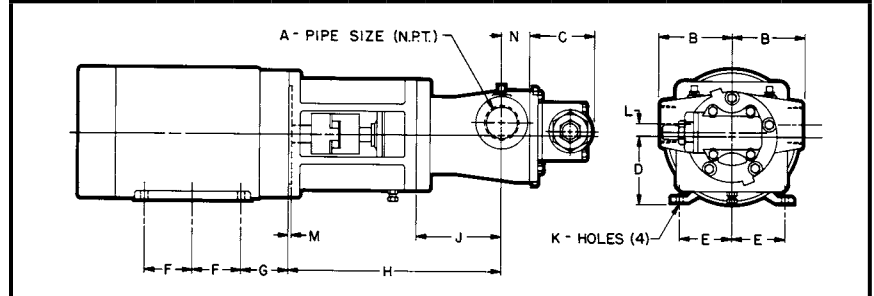
Section	144
Page	144.9
Issue	D

## DIMENSIONS

These dimensions are average and not for construction purposes. Certified prints on request.

For specifications, see page 144.5.

## DIMENSIONS— SERIES 495 ("M" DRIVE) — NEMA C "G"—"GG"—"H"—"HJ"—"HL" SIZES



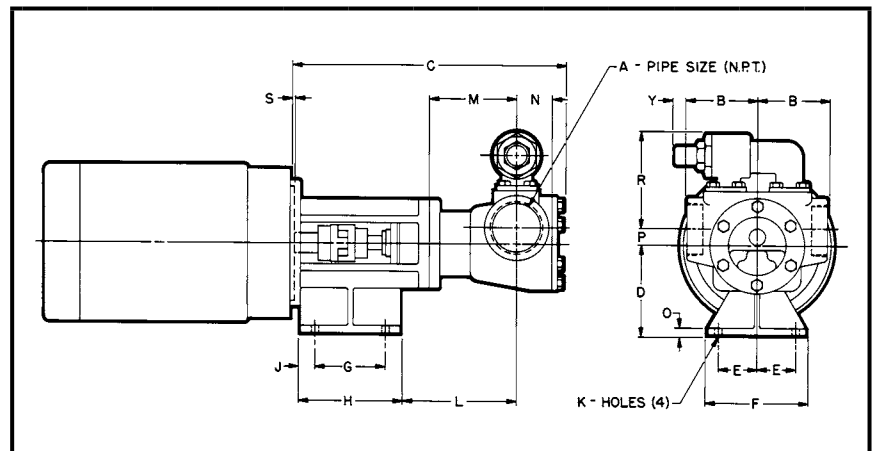
MODEL NO.		A	B	C	J	L	M	N	MOTOR FRAME	D	E	F	G	H	K								
G495M	in	1	2.75	2.66	3.44	.62	.19	1.12	56C	3.50	2.44	1.50	2.56	8.88	.34 SLOT								
	mm								62		38	65	9										
	in								GG495M	2.75	2.88	3.38	9.56	.41	10	143TC	89	2.00	70	64	73	225	9
	mm															51		2.25					
	in															145TC	4.50		3.75	57	3.38	9.56	.41
	mm																	2.75					
	in															182TC	114	95	70	86	243	10	
	mm																						70
in	184TC	114	95	70	86	243	10																
mm								70	67	87	16	5	29										
H495M	in	1 1/2	3.75	3.28	4.50	.62	.19	1.50	56C	3.50	2.44	1.50	2.56	11.12	.34 SLOT								
	mm								62		38	65	9										
	in								HJ495M	3.75	2.88	3.38	11.81	.41	10	143TC	89	2.00	70	64	73	283	9
	mm															51		2.25					
	in															145TC	4.50		3.75	57	3.38	11.81	.41
	mm																	2.75					
	in															182TC	114	95	70	86	300	10	
	mm																						70
in	184TC	114	95	70	86	300	10																
mm								70	67	87	16	5	29										
HL495M	in	213TC	5.25	4.25	70	4.25	12.56	.41															
	mm								2.75														
	in								215TC	133	108	89	108	319	10								
	mm															3.50							

NOTE: Jaw type coupling with straight jaws recommended to facilitate assembly of motor and pump to bracket.

COUPLING IS GUARDED WITH PLATES OVER SIDE OPENINGS ON MOUNTING BRACKET.

For specifications, see page 144.5.

## DIMENSIONS— SERIES 495 ("M" DRIVE) — NEMA C "AS"—"AK"—"AL" SIZES



① Dimensions are correct for 182TC through 215TC motors. For 254TC/256TC motors, add .88" to the dimensions shown.

NOTE: Jaw type coupling with straight jaws recommended to facilitate assembly of motor and pump to bracket.

COUPLING IS GUARDED WITH PLATES OVER SIDE OPENINGS ON MOUNTING BRACKET.

MODEL NO.		A	B	① C	D	E	F	G	H	J	K	① L	M	N	O	P	R	S	Y
AS495M	in	2 1/2	5.00	19.06	6.25	2.75	7.00	5.00	7.00	1.00	.56	8.44	6.38	2.00	.50	1.12	7.00	.19	1.00
AK495M	mm			484															
AL495M	in	3	127	19.56	159	70	178	127	178	25	14	214	162	64	13	29	178	5	25
	mm			497															

Section	144
Page	144.10
Issue	C

# VIKING® HEAVY DUTY PUMPS

## SERIES 495

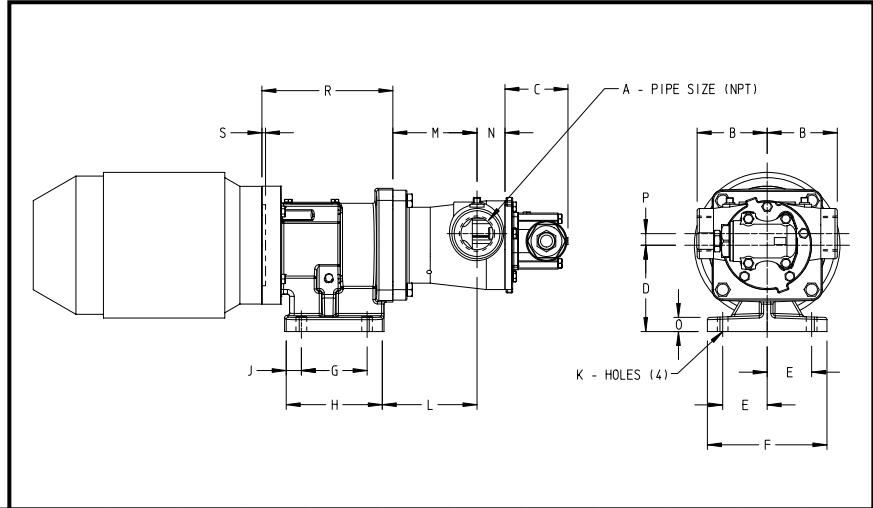
### STANDARD CONSTRUCTION

For specifications, see page 144.5.

## DIMENSIONS— SERIES 495 ("M" DRIVE) — IEC Frame "H"—"HJ"—"HL" SIZES

Brackets are designed for IEC motors with B14 mounting face.  
NOTE: Jaw type coupling with straight jaws recommended to facilitate assembly of motor and pump to bracket.

COUPLING IS GUARDED WITH PLATES OVER SIDE OPENINGS ON MOUNTING BRACKET.



MODEL NO		A	B	C	M	N	P	MOTOR FRAME	D	E	F	G	H	J	K	L	O	R	S
H495M	in	1.5	3.75	3.28	4.50	1.50	0.62	IEC 90	4.62	2.38	6.40	3.52	5.14	0.81	0.57	4.92	0.75	6.61	0.19
	mm																		
HJ495M	in							117.3	60.5	162.6	89.4	130.6	20.6	IEC 100/112		4.98		178.1	4.8
	mm																		
HL495M	in							5.32	2.95	7.48	4.50	6.09	0.80	IEC 132		5.11		8.16	0.25
	mm																		