



300 liter heat-/coolable pressure tank, AISI 316

Price: € 4.350,00

Products in Stock: 1 pcs.

General Information

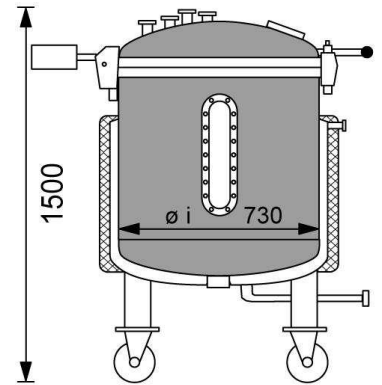
condition	used
-----------	------

Tank

Volume	300 Liter
Max. negative pressure	1.00 bar
Max. excess pressure	2.00 bar
max. allowable working temperature	200 °C
upper bottom	upper bottom removable / hinged
construction	standing
Stand type	moveable on wheels
quantity legs	4 Stück

Double jacket

Volume double jacket	35 Liter
max. allowable working overpressure	6.00 bar
max. allowable working underpressure	1.00 bar
max. allowable working temperature	200 °C
Temperature control cylinder	double jacket
temperature control bottom	double jacket





Isolierung

insulation	available
insulating jacket	hermetically welded
material insulation jacket	stainless steel

Technical Characteristics

diameter inside	730 mm
diameter outside	880 mm
cylindrical height	600 mm
total height	1500 mm

Equipment

nameplate	Yes
outlet	available
Remarks	Schaugläser und Schauglasplatten fehlen; Klammerschrauben fehlen größtenteils
latest application	pharmaceutics

Material Composition

surface outside	grinded
surface inside	grinded
material vessel	V4A/AISI 316
material double jacket	AISI304 (V2A) 1.4301
material legs	stainless steel

