

CONTINUOUS
PURCHASE
USED TANKS



130 liter pressure tank, AISI 316

Price: € 2.450,00

Products in Stock: 1 pcs.

General Information

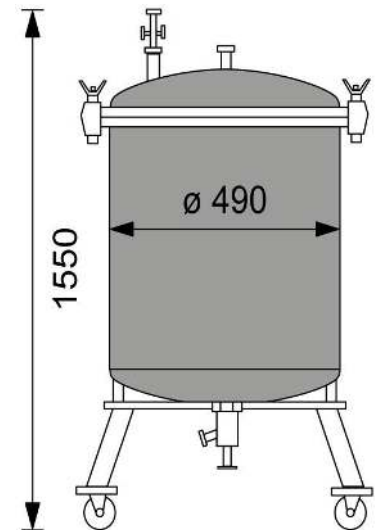
condition	used
-----------	------

Tank

Volume	130 Liter
Max. excess pressure	3.00 bar
max. allowable working temperature	120 °C
upper bottom	upper bottom removable / hinged
construction	standing
Stand type	moveable on wheels
quantity legs	4 Stück

Technical Characteristics

diameter inside	490 mm
cylindrical height	590 mm
total height	1550 mm





Equipment

nameplate	Yes
outlet	available
latest application	pharmaceutics



Material Composition

surface inside	polished
material in contact with medium	AISI316 (V4A) 1.4401 / 1.4404
material legs	stainless steel

